

Cavendish CSH20, Chesford CSD20

GB FR PT ES DE NL IT RU

08/51002/0 Issue 0

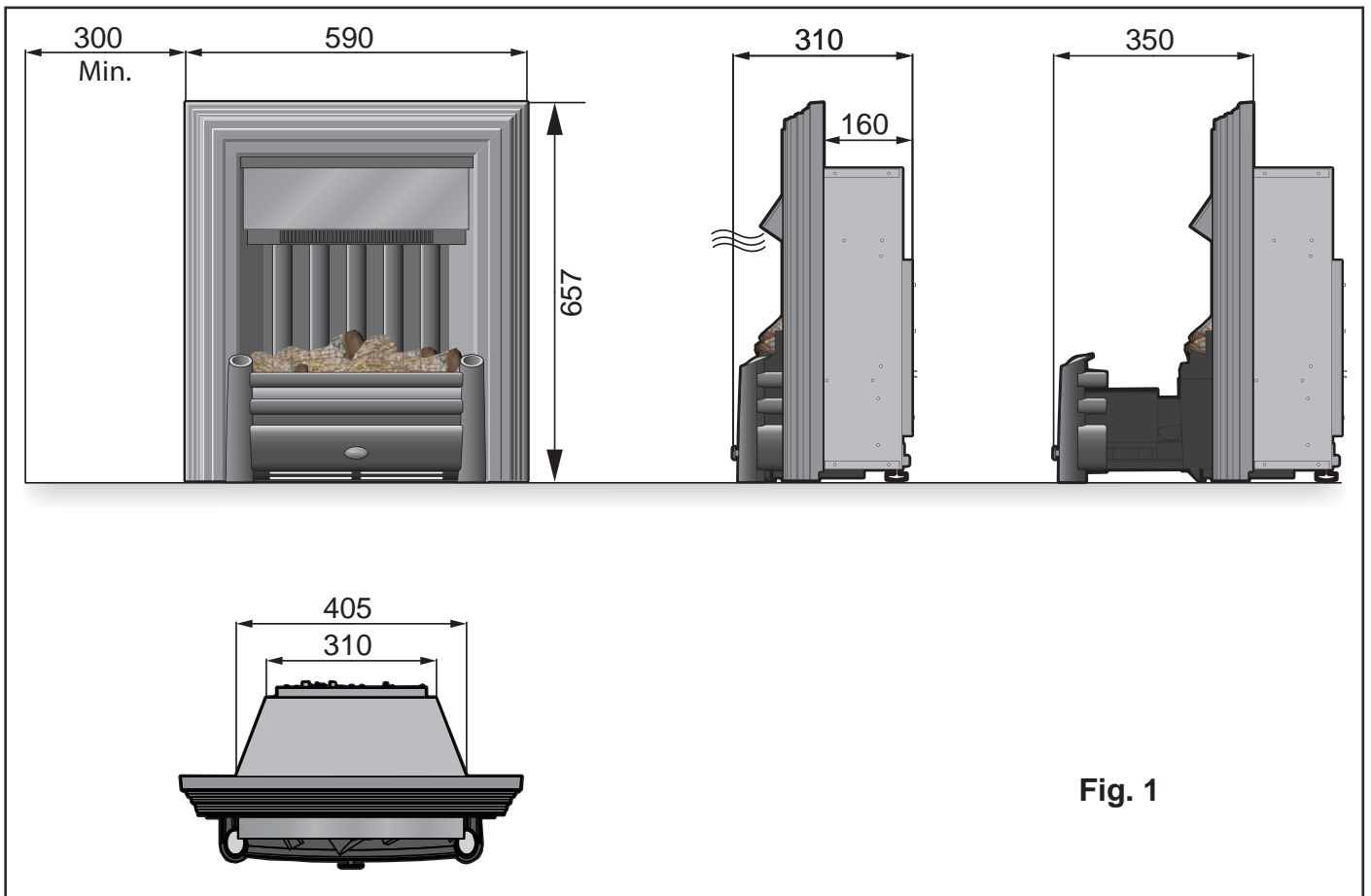


Fig. 1

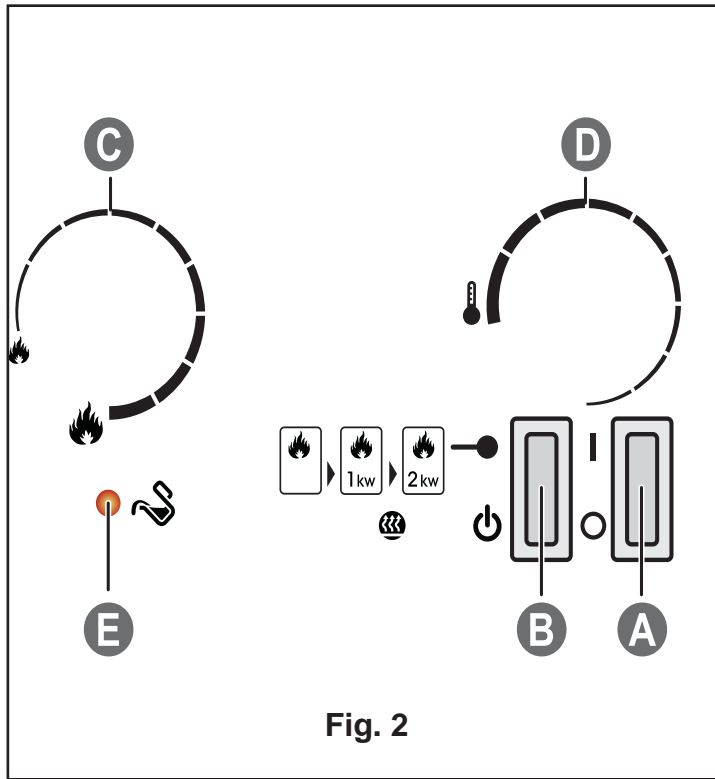


Fig. 2

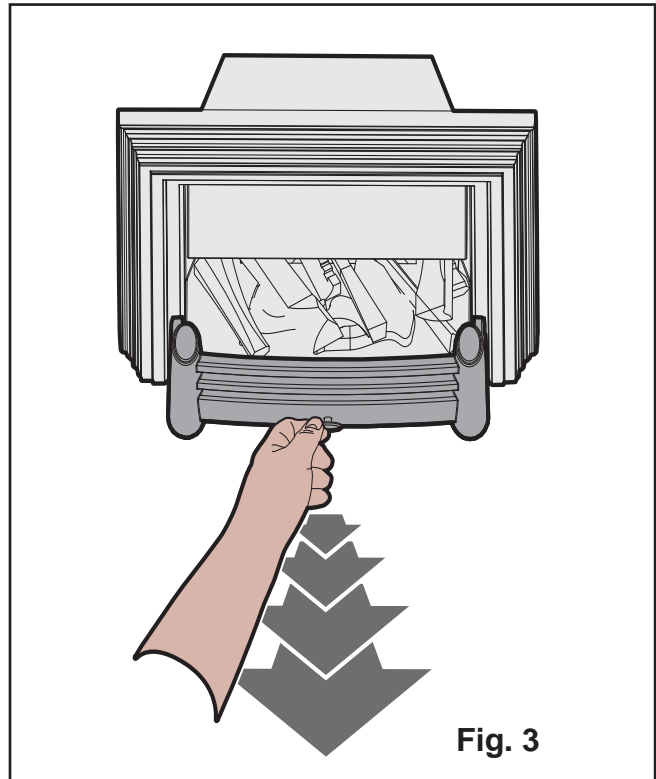
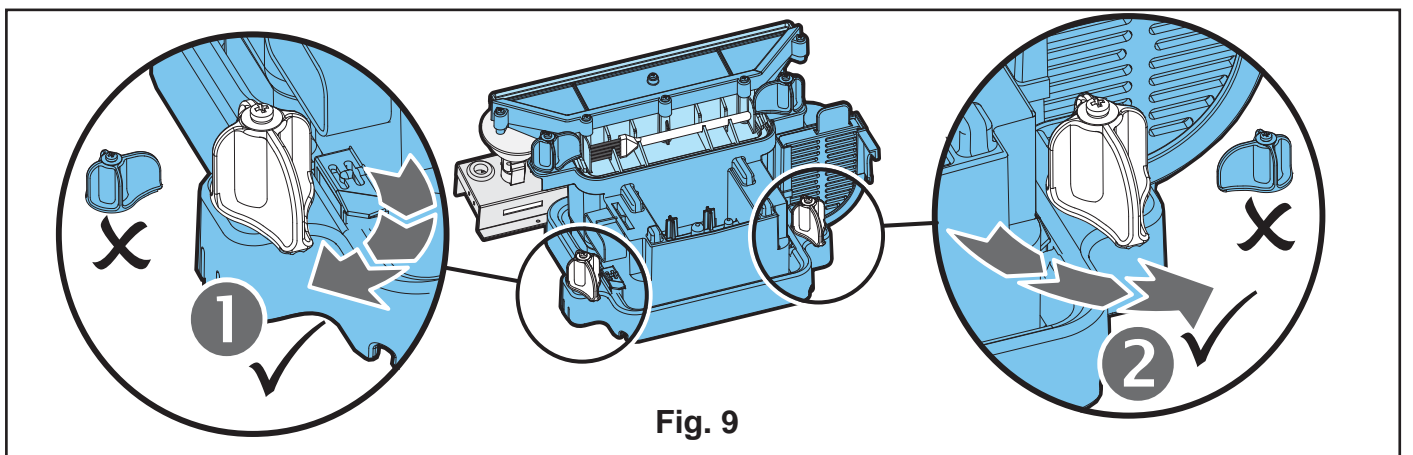
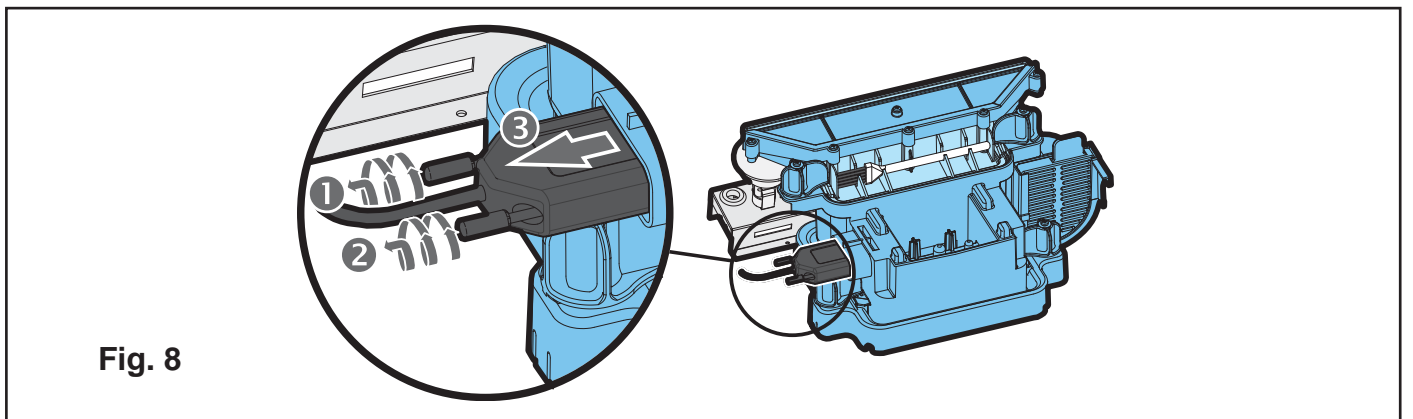
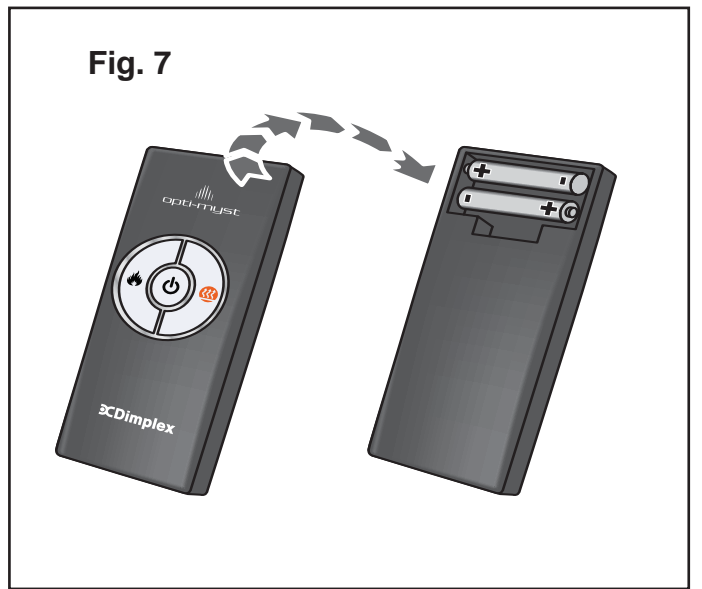
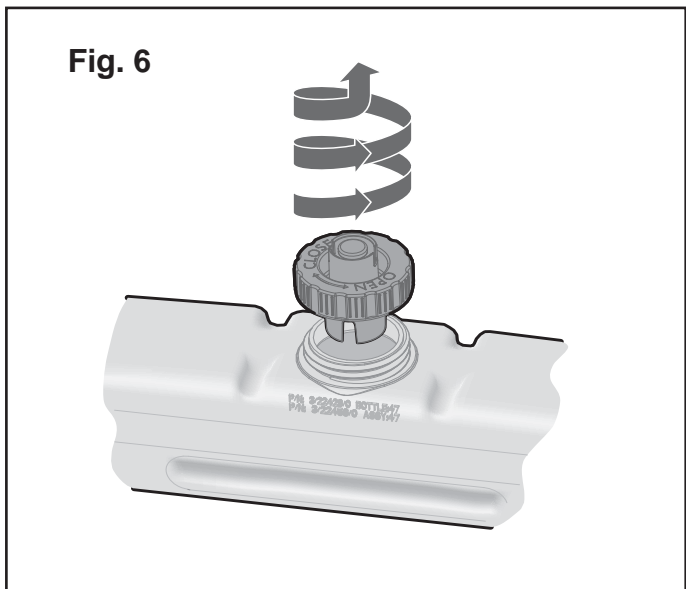
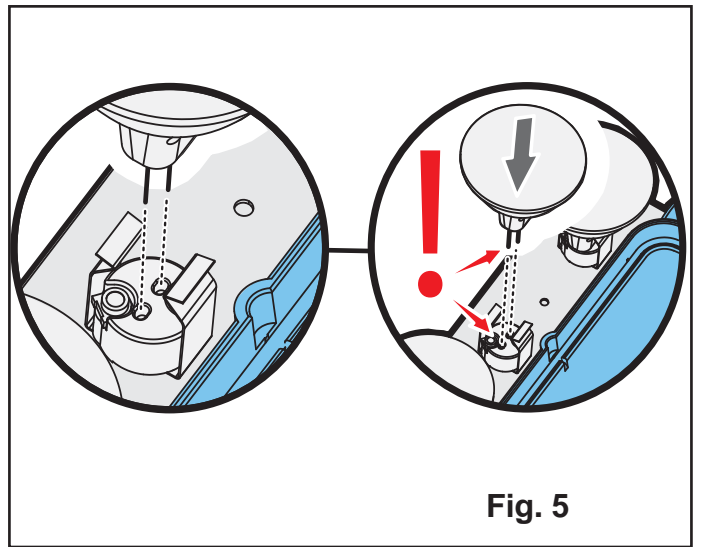
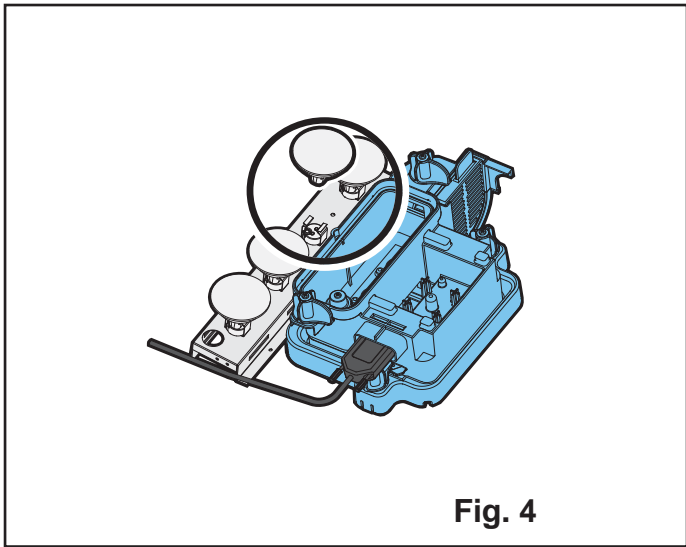


Fig. 3



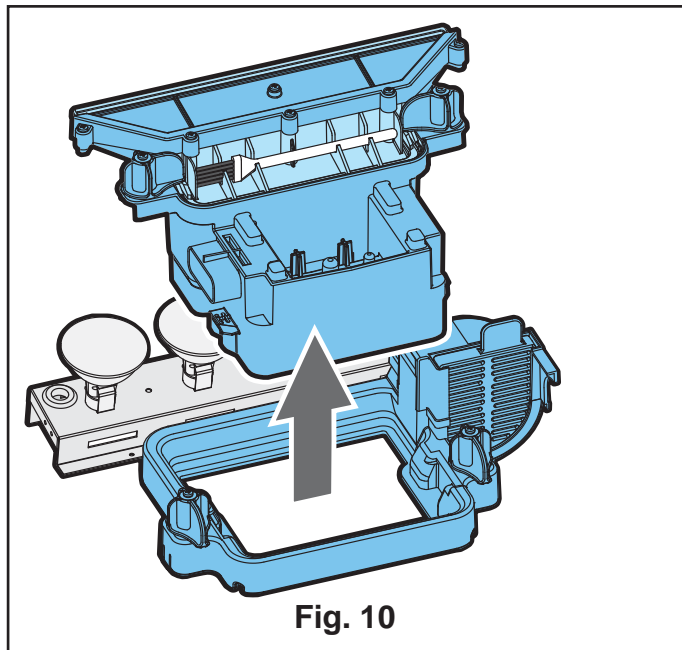


Fig. 10

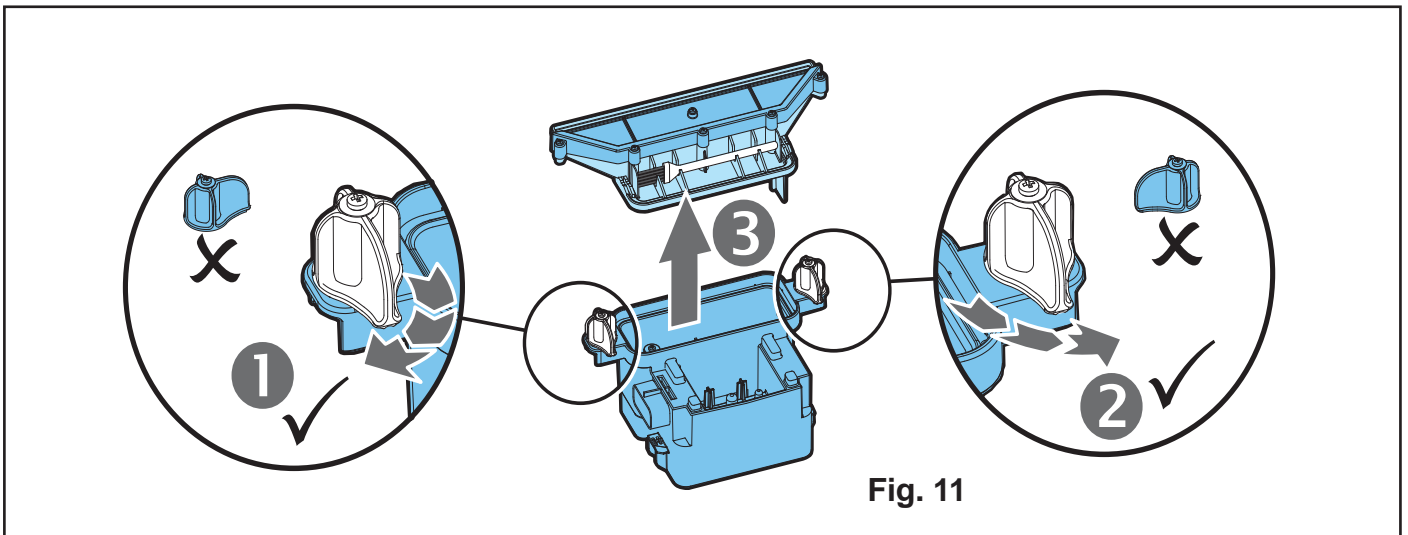


Fig. 11

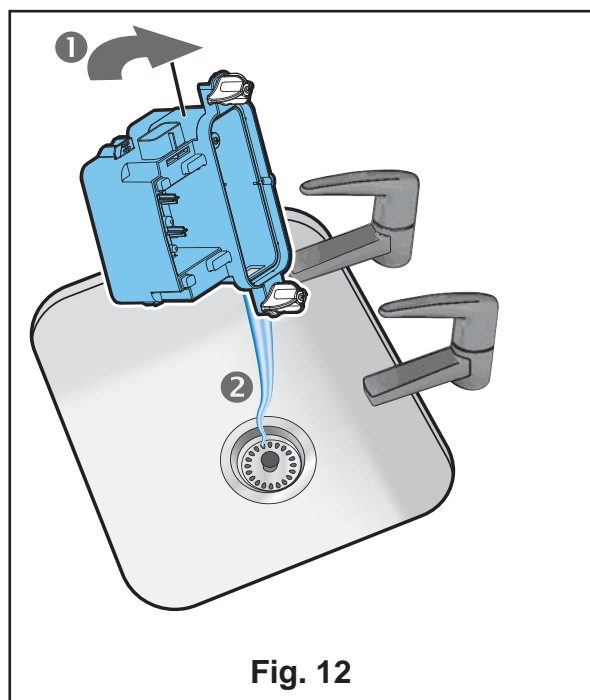


Fig. 12

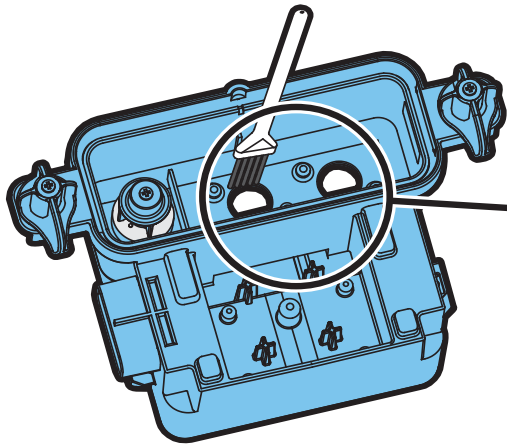


Fig. 13

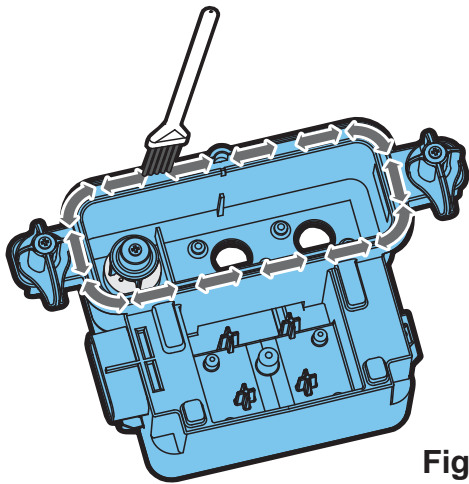
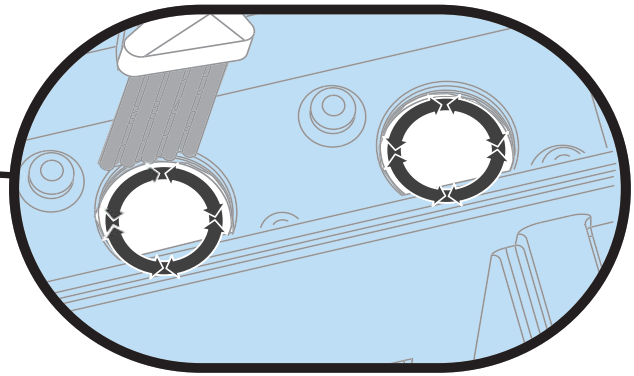


Fig. 14

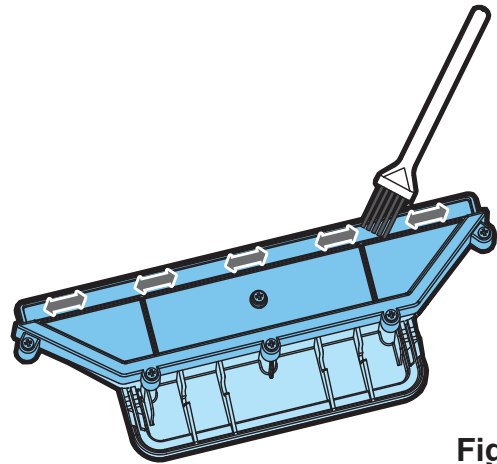


Fig. 15

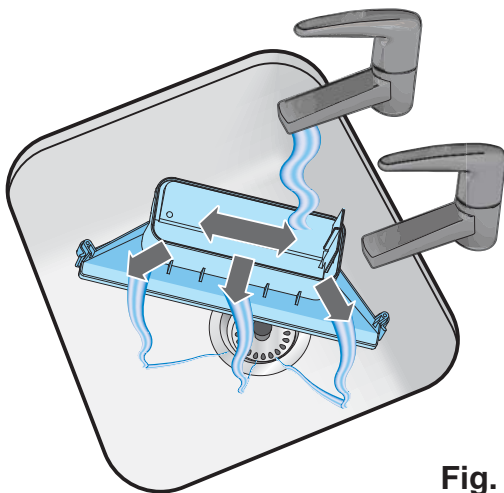


Fig. 16

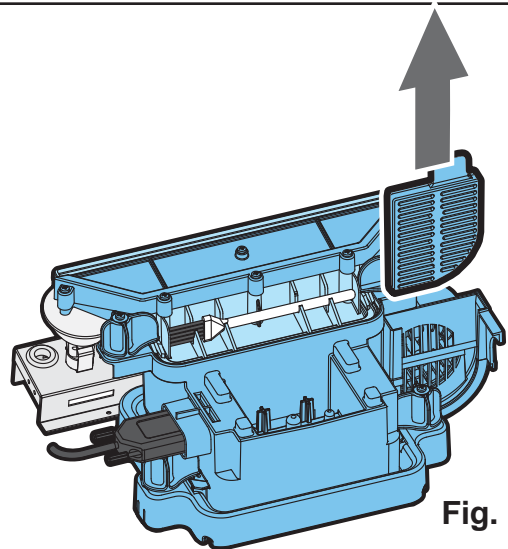


Fig. 17

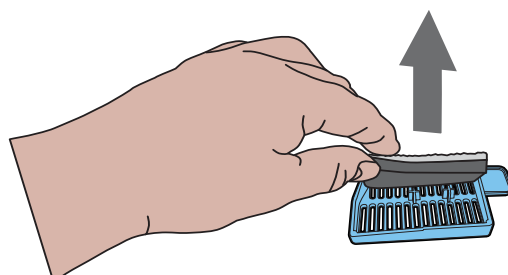


Fig. 18

GB	1
FR	6
PT	11
ES	16
DE	21
NL	26
IT	31
RU	36

IMPORTANT: THESE INSTRUCTIONS SHOULD BE READ CAREFULLY AND RETAINED FOR FUTURE REFERENCE

Important Safety Advice:

When using electrical appliances, basic precautions should always be followed to reduce the risk of fire, electrical shock and injury to persons, including the following:

If the appliance is damaged, check with the supplier before installation and operation.

Do not use outdoors.

Do not use in the immediate surroundings of a bath, shower or swimming pool.

Do not locate the heater immediately below a fixed socket outlet or connection box.

This appliance is not intended for use by children or other persons without assistance or supervision if their physical, sensory or mental capabilities prevent them from using it safely. Children should be supervised to ensure that they do not play with the appliance.

Do not use this heater in series with a thermal control, a program controller, a timer or any other device that switches on the heat automatically, since a fire risk exists when the heater is accidentally covered or displaced.

Ensure that furniture, curtains or other combustible material are positioned no closer than 1 metre from the heater.

In the event of a fault unplug the heater.

Unplug the heater when not required for long periods.

Although this heater complies with safety standards, we do not recommend its use on deep pile carpets or on long hair type of rugs.

The appliance must be positioned so that the plug is accessible.

If the supply cord is damaged it must be replaced by the manufacturer or service agent or a similarly qualified person in order to avoid a hazard.

Keep the supply cord away from the front of the heater.

WARNING: In order to avoid overheating, do not cover the heater. Do not place material or garments on the heater, or obstruct the air circulation around the heater.



The heater carries the Warning symbol indicating that it must not be covered.

General.

Unpack the heater carefully and retain the packaging for possible future use, in the event of moving or returning the fire to your supplier. The Remote Control and batteries are packed separately in the carton.

The fire incorporates a flame effect, which can be used with or without heating, so that the comforting effect may be enjoyed at any time of the year. Using the flame effect on its own only requires little electricity.

The heater is designed for use inset into a 407mm (16") or 457mm (18") wide by 559mm (22") high fireplace opening or freestanding - see also section 'Installation Instructions'.

Before connecting the heater check that the supply voltage is the same as that stated on the heater.

Please note: Used in an environment where background noise is very low, it may be possible to hear a sound which is related to the operation of the flame effect. This is normal and should not be a cause for concern.

Electrical connection.

WARNING – THIS APPLIANCE MUST BE EARTHED.

This heater must be used on an AC ~ supply only and the voltage marked on the heater must correspond to the supply voltage.

Before switching on, please read the safety warnings and operating instructions.

PLEASE RETAIN THIS USER'S GUIDE FOR FUTURE REFERENCE

Do not put Opti-myst plastic components into a dishwasher.

Only slide out the drawer when the water tank needs to be filled or a lamp needs to be changed otherwise you will inadvertently alter the water level and the flame effect operation.

Only use filtered tap water in this appliance.

Always ensure that the appliance is sitting on a level floor.

If you intend not using the appliance for longer than 2 weeks, drain the water from sump and water tank and dry the sump.

Once installed, never move this appliance or lay on its back, without draining the water from sump and water tank.

The water tank, sump, sump lid, tank cap and air filters must be cleaned once every two weeks, particularly in hard water areas.

The appliance should never be operated if the lamps are not working.

The lamps should be regularly inspected as described under 'Maintenance' and 'Changing lamps'.

Installation Instructions

Before installing this appliance, we recommend that;

1. You have your chimney cleaned by a competent chimney sweep.
2. You block off the chimney flue.

This procedure is important for the efficient operation of the heating unit and will also reduce heat loss up the chimney.

Installation.

Ensure that all packing items are removed (read any warning labels carefully).

Retain all packing for possible future use, in the event of moving or returning the appliance to your supplier.

To install the appliance;

1. Remove the fireplace grate, ashpan etc.
2. The ashbed grate should be stored away for possible future use.
3. Clean the hearth of any ash residue or dust etc.

At the rear of the appliance, two adjustable supports are provided for levelling, where the base of the fireplace opening is raised above the level of the hearth.

You are now ready to install the electric fire into your fireplace.

Make sure the unit is switched **OFF**.

Hold the fire by the sides of surround and gently manoeuvre into position. Plug the fire into a 13amp/240 volt outlet. Ensure that the supply cable exits at the front of the fire, at the right or left hand corner to suit your supply socket location and is not trapped under the fire such that it might cause it to be damaged.

Before using the manual controls firstly fill the water tank (See 'Maintenance', 'Filling the water tank').

Manual Controls.

The Opti-myst Manual controls are located beneath the hinged canopy cover. Raise the canopy cover to access the controls. (See Fig. 2 for Manual Control lay out)

Switch 'A':- Controls the electricity supply to the heater.

Note: This switch must be in the 'ON' (I) position for the heater to operate with or without heat.


Switch 'B':- Controls the function of the fire.

Press  once to turn on flame effect. This will be indicated by one beep.

Although the main lights operate immediately it will take a further 30 seconds before the flame effect starts.

Press  again to give flame effect and half heat.

This will be indicated by two beeps.

Press  again to give flame effect and full heat. This will be indicated by three beeps.

Press  again to return to flame effect only.

This will be indicated by one beep.

Press  to put fire in to standby mode.

This will be indicated by one beep.

Control Knob 'C':- Controls the intensity of the flame effect.

Turning the control knob Clockwise increases the flame effect, turning the control knob Anti Clockwise will decrease the flame effect.

Control Knob 'D':- Controls the Electronic Thermostat setting.

Turning the control knob Clockwise will decrease the temperature setting, turning the control knob Anti Clockwise will increase the temperature setting.

LED 'E':- When this is illuminated it indicates that the water tank is empty. You will hear two beeps.

When the water is empty the main lamps go out. See instructions under 'Maintenance', 'Filling the water tank'.

When this procedure is complete, the main lamps will illuminate but it will take 30 seconds before the flames return.

Electronic Thermostat

The thermostat controls the heat output according to the room temperature. This ensures that the heater will not produce heat unnecessarily when the room is warm.

To set the temperature you require, turn the thermostat control knob 'D' (See Fig. 2) Anti-Clockwise until the desired temperature is reached. Alternatively to heat a cold room quickly, turn the thermostat control knob 'D' (See fig. 2) up fully. When the room has reached the desired temperature, turn the thermostat control knob 'D' (See Fig. 2) clockwise until the desired heat setting is achieved.

The heater will now automatically operate at this temperature.

Remote Control Operation

On the control panel, Switch A (see Fig. 2) must be in the 'ON' (I) position in order for the remote control to operate.

There are 3 buttons on the remote control. (See Fig. 7)

To operate correctly the remote must be pointed towards the front fuel effect.

The remote control functions are as follows:



**Press once to turn on Flame effect only.
This will be indicated by one beep.**



**Press once to turn on Half heat and Flame effect.
This will be indicated by two beeps.
Press again to turn on Full heat and Flame effect.
This will be indicated by three beeps.**



**Standby
This will be indicated by one beep.**

Battery Information.

1. Unclip the battery cover on the back of the remote control. (See Fig. 7)
2. Install AAA batteries into the remote control.
3. Replace the battery cover.

Discard leaky batteries.

Dispose of batteries in the proper manner according to provincial and local regulations.

Any battery may leak electrolyte if mixed with a different battery type, if inserted incorrectly, if all the batteries are not replaced at the same time, if disposed of in a fire, or if an attempt is made to charge a battery not intended to be recharged.

Thermal safety cut-out

A thermal safety cut-out is incorporated in the fan heater to prevent damage due to overheating. This can happen if the heat outlet was restricted in any way or if the chimney flue has not been blocked off effectively. If the cut-out operates, unplug the heater from the socket outlet and allow approximately 10 minutes before reconnecting. Before switching the heater back on remove any obstruction that may be restricting the heat outlet, then continue normal operation.

Tips for using your appliance.

1. Only pull out the drawer when its time to refill the water tank or change a lamp, otherwise it may lead to excess water in the sump and reduced flame effect. If this happens empty the water from the sump as instructed under 'Maintenance'.
2. With the flame setting on minimum the unit will use approximately 40ml of water per hour and will last 3 times as long than when it is at maximum flame setting.
3. Do not tilt or move the fire while there is water in the tank or sump.
4. Make sure that the fire is on a level floor.
5. The flame control knob 'C' Fig. 2 may be turned up or down to give a more realistic effect.
6. Sometimes the flames appear more real when the flame control knob is turned down.
7. Give the flame generator some time to react to changes you may make on the flame control knob.

Maintenance

WARNING: ALWAYS DISCONNECT FROM THE POWER SUPPLY BEFORE ATTEMPTING ANY MAINTENANCE

Changing lamps.

If a large amount of the smoke appears grey or colourless it may be that one or more lamps have failed.

You can check for lamp failure as follows.

1. Leaving the flame effect on, gently pull the drawer fully out by the tab. (See Fig. 3)
2. View the lamps from a distance in front of the fire and observe which lamp needs to be changed.
3. Put Switch 'A' in the 'OFF' position, and unplug the fire from the mains.
4. Leave the appliance for 20 minutes to allow the lamps to cool down before removing them.
5. Remove the water tank by lifting upwards and place in a sink.
6. Remove the sump as described in the Cleaning Section.
7. Remove the defective lamp, by gently lifting vertically and disengaging the pins from the lamp holder, (See Fig. 4 and 5). Replace with a Dimplex Opti-myst, 12V, 50W, Gu5.3 base, 8° beam angle, coloured lamp. (Purchased from www.dimplex.co.uk under the section 'After Sales Service', details of how to purchase the lamps are contained therein.)
8. Carefully insert the two pins of the new lamp into the two holes in the lamp holder. Push firmly in place. (See Fig. 4 and 5).
9. Replace the Sump and water tank and carefully close the drawer.
10. Switch on.

Filling the water tank.

When using the appliance for the first time or when the water level warning light comes on, you will hear 2 audible 'beeps' when the water is empty and the tank needs refilling, follow these steps.

1. Press Switch 'A' to **(0)** (See Fig. 2)
2. Gently pull out the drawer as far as possible by the tab. (See Fig. 3)
3. Remove the water tank by lifting upwards and outwards.
4. Place the water tank in sink and remove cap, Anti-clockwise to open. (See Fig. 6)
5. Fill tank with **filtered tap water only**. This is necessary to prolong the life of the flame and smoke producing unit.
The water should be filtered through a conventional domestic water filter unit and the filter should be replaced regularly.
6. Screw the cap back on, **do not overtighten**.
7. Return the tank to the sump, with the tank cap facing down and the flat side of the tank facing outward.
8. Gently push the drawer back in as far as it will go.
9. Press Switch 'A' to 'ON' (**I**) position (See Fig. 2)
10. Press Switch 'B' once to turn on flame effect. (See manual control section and Fig. 2)

Cleaning.

WARNING – ALWAYS DISCONNECT FROM THE POWER SUPPLY BEFORE CLEANING THE HEATER.

We Recommend cleaning the following components once every 2 weeks, particularly in hard water areas:-

Water Tank, Sump and Seal, Sump lid, Tank cap and seal, Air filter.

For general cleaning use a soft clean duster – never use abrasive cleaners. To remove any accumulation of dust or fluff the soft brush attachment of a vacuum cleaner should occasionally be used to clean the outlet grille of the fan heater.

Water tank

1. Remove water tank, as described earlier, put into sink and empty water.
2. Using the supplied brush gently rub the inside surfaces of the cap paying particular attention to the rubber ring in the outer groove and the centre rubber seal.
3. Put a small quantity of washing up liquid into the tank, refit the cap and shake well, rinse out until all traces of washing up liquid are gone.
4. Refill with filtered tap water only, replace the cap, do not overtighten.

Sump

1. Press Switch 'A' to the 'OFF' (0) position
2. Gently pull the drawer out as far as possible. (See Fig. 3)
3. Remove the water tank by lifting upwards.
4. Disconnect the electrical connector, located on the left side of the sump, by first loosening the two retaining screws and gently withdrawing the connector. (See Fig. 8)
5. Release the lower sump locking tabs by turning 90°, this allows the sump to be lifted completely from its location. (See Fig. 9)
6. Gently lift up the sump assembly, taking care to keep level so as not to spill any water. Sit the assembly in the sink. (See Fig. 10)
7. Release the two upper sump locking tabs by turning 90°, then lift off the sump lid. (See Fig. 11)
8. Carefully tilt, as shown, so that the liquid drains out of the sump. (See Fig. 12)
9. Put a small amount of washing up liquid into the sump, and using the supplied brush, gently clean all surfaces including the metal discs and the rubber seal located in the top grooved surface. **Do not remove the rubber seals.** (See Fig. 13 and 14)
10. When cleaned, thoroughly rinse the sump with clean water.
11. Clean the outlet surface of the sump lid with the brush and flush out thoroughly with water. (See Fig. 15 & 16)
12. Reverse the above steps to reassemble.

Air filter.

1. Press Switch 'A' to the 'OFF' (0) position (See Fig. 2)
2. Gently pull the drawer out as far as possible. (See Fig. 3)
3. Remove the tank and place in a sink with the cap facing upwards.
4. Gently slide upwards the air filter plastic holder. (See Fig. 17)
5. Remove the filter combination from the plastic holder.
6. Gently rinse with water in the sink and dry with fabric towel before returning.
7. Replace the filter combination making sure that the coarse black filter is in contact with the plastic holder. (See Fig. 18)
8. Replace the tank.
9. Close the drawer fully.
10. Press Switch 'A' to the 'ON' (I) position (See Fig. 2)

Recycling.

For electrical products sold within the European



Community. At the end of the electrical products useful life it should not be disposed of with household waste. Please recycle where facilities exist. Check with your Local Authority or retailer for recycling advice in your country.

After Sales Service.

Your product is guaranteed for one year from the date of purchase. Within this period, we undertake to repair or exchange this product free of charge (excluding lamps & subject to availability) provided it has been installed and operated in accordance with these instructions. Should you require after sales service or should you need to purchase any spares, please contact the retailer from whom the appliance was purchased or contact the service number relevant to your country on the warranty card. Please do not return a faulty product to us in the first instance as this may result in the loss or damage and delay in providing you with a satisfactory service. Please retain your receipt as proof of purchase.

Troubleshooting

Symptom	Cause	Corrective Action
The flame effect will not start.	<p>Mains plug is not plugged in.</p> <p>Switch A is in the 'ON' (I) position, but mode Switch B has not been pressed. (See Fig. 2)</p> <p>Low water level.</p> <p>Low voltage connector not connected properly. (See Fig. 8)</p>	<p>Check plug is connected to wall socket correctly.</p> <p>Press Switch B once for flame effect. (See Fig. 2)</p> <p>Check 'Low water level' warning LED 'E' under canopy hood. (See Fig. 2). If 'ON' fill water tank.</p> <p>Check that the connector is inserted correctly. (See Fig. 8)</p>
The flame effect is too low.	<p>Flame effect control knob is set too low. (See Fig. 2)</p> <p>The water in the sump may be too high due to the drawer being opened and closed a number of times, water tank removed a number of times, or the fire has been moved.</p> <p>Metal Disc at the base of Sump might be dirty (See Fig. 13)</p>	<p>Increase level of flame by turning Control knob C clockwise slowly. (See Fig. 2)</p> <p>If water level in the sump is more than 40mm, the sump should be removed and emptied in the sink.</p> <p>Clean Metal Discs with soft brush supplied. (See Fig. 13) See 'Maintenance.' for a step by step procedure.</p>
Unpleasant smell when unit is used.	<p>Dirty or stale water.</p> <p>Using unfiltered tap water.</p>	<p>Clean the unit as described under maintenance.</p> <p>Use only filtered tap water.</p>
The flame effect has too much smoke.	<p>Flame effect setting is too high.</p>	<p>Turn the flame effect Control knob C anticlockwise to minimum and slowly turn clockwise, about ¼ a turn, at a time. Give the flame generator some time to adjust before increasing. (See Fig. 2)</p>
Main lamps are not working and there are no flames or smoke.	<p>LED 'E' Fig. 2 is Lit.</p> <p>LED 'E' Fig. 2 is not Lit.</p>	<p>Follow instructions under Maintenance, 'Filling the water tank'.</p> <p>Check the plug is connected to wall socket correctly.</p> <p>Switch 'A' Fig. 2 is in the 'ON' (I) position.</p> <p>Press switch 'B' Fig. 2 until you can hear one beep only, for flame effect.</p>

IMPORTANT : LIRE ATTENTIVEMENT CES INSTRUCTIONS ET LES CONSERVER SOIGNEUSEMENT POUR POUVOIR LES CONSULTER ULTÉRIEUREMENT.

Consignes de sécurité importantes :

Lors de l'utilisation d'appareils électriques, prendre des précautions élémentaires pour réduire les risques d'incendie, de secousse électrique et de blessures corporelles, parmi lesquelles :

Si l'insert est endommagé, consulter le fournisseur avant de procéder à l'installation et à l'utilisation.

Ne pas l'utiliser à l'extérieur.

Ne pas l'utiliser à proximité immédiate d'une baignoire, d'une douche ou d'une piscine.

Ne pas le placer juste au-dessous d'une prise murale ou d'un boîtier de connexion.

Cet appareil ne doit pas être utilisé par des enfants sans surveillance ni par une personne dont les capacités physiques, sensorielles ou mentales ne lui permettent pas de le faire en toute sécurité sans assistance. Cet appareil n'est pas un jouet, ne pas laisser les enfants s'en servir sans surveillance.

Ne pas relier l'insert en série avec un régulateur thermique, un système de commande programmé, une minuterie et tout autre dispositif déclenchés automatiquement par la chaleur, car il existe un risque d'incendie lorsque le poêle est accidentellement recouvert ou déplacé.

S'assurer que les meubles, les rideaux ou les autres matériaux combustibles sont distants d'au moins 1 mètre de l'insert.

Débrancher l'insert en cas d'anomalie.

Débrancher l'insert lorsqu'il ne doit pas être utilisé pendant une période prolongée.

Bien que cet insert soit conforme aux normes de sécurité, nous recommandons de ne pas l'utiliser sur une moquette très épaisse ou sur des tapis à poils longs.

L'insert doit être positionné de façon à rendre la prise accessible.

Si le cordon d'alimentation est endommagé, le faire remplacer par le fabricant ou un réparateur ou toute personne suffisamment qualifiée afin d'écartier tout risque.

Éloigner le cordon d'alimentation de la partie avant de l'insert.

AVERTISSEMENT : Pour éviter toute surchauffe, ne pas couvrir l'insert. Ne pas placer de matériaux ou de vêtements sur l'insert ni entraver la circulation d'air autour de l'insert.



Le symbole d'avertissement indique que l'insert ne doit pas être couvert.

Informations générales.

Déballer l'insert avec précaution et conserver l'emballage pour une utilisation ultérieure éventuelle, que ce soit pour un déménagement ou un retour de l'insert au fournisseur. La télécommande et les piles sont emballées séparément dans le carton.

L'insert est doté d'un effet flamme pouvant être utilisé avec ou sans chauffage, de sorte qu'il est possible de bénéficier de son effet tranquilisant tout au long de l'année. L'utilisation de l'effet flamme seul ne requiert qu'une faible consommation d'électricité.

Cet appareil est conçu pour être inséré dans une cheminée dotée d'une ouverture de 407 ou 457 mm de large et de 559 mm de haut ou sans support (voir également la section "Instructions d'installation").

Avant de brancher l'insert, vérifier que la tension d'alimentation du secteur est identique à celle indiquée sur l'insert.

Attention : l'effet flamme s'accompagne d'un son audible dans un environnement silencieux. Ce son est normal et ne doit pas être une source inutile d'inquiétude.

Branchement électrique.

AVERTISSEMENT - CET APPAREIL DOIT ÊTRE RELIÉ À LA TERRE.

Cet insert doit être utilisé en courant alternatif (~) uniquement et la tension d'alimentation du secteur doit correspondre à la tension indiquée sur l'appareil.

Lire attentivement les consignes de sécurité et les instructions d'utilisation avant de mettre l'insert en marche.

CONSERVER CE GUIDE D'UTILISATION POUR POUVOIR LE CONSULTER ULTÉRIEUREMENT

Ne pas passer les éléments en plastique de l'insert Opti-myst au lave-vaisselle.

Faire coulisser le tiroir uniquement lorsque le réservoir d'eau doit être rempli ou qu'une ampoule doit être remplacée, sinon le niveau d'eau et le fonctionnement de l'effet flamme risquent d'être modifiés par inadvertance.

Utiliser uniquement de l'eau du robinet filtrée dans cet insert.

Toujours veiller à ce que l'insert repose sur un sol de niveau.

Si une période de non-utilisation de plus de 2 semaines est prévue, vidanger l'eau du bac et du réservoir d'eau et sécher le bac.

Une fois installé, ne jamais déplacer cet insert ni le mettre à plat sur le sol sans vidanger l'eau du bac et du réservoir d'eau.

Le réservoir d'eau, le bac, le couvercle du bac, le bouchon du réservoir et les filtres à air doivent être nettoyés une fois toutes les deux semaines, en particulier dans les régions où l'eau est calcaire

Ne jamais utiliser l'insert si les ampoules ne fonctionnent pas.

Les ampoules doivent être régulièrement contrôlées comme décrit à la section "Entretien", "Remplacement des ampoules".

Instructions d'installation

Avant d'installer cet insert, nous vous conseillons de :

1. Faire nettoyer votre conduit de cheminée par un ramoneur compétent.
2. Obturer le conduit de cheminée.

Cette procédure est importante pour le fonctionnement efficace de l'insert et réduit également la perte de chaleur dans la partie supérieure de la cheminée.

Installation.

Veiller à retirer tous les emballages (lire attentivement les étiquettes de sécurité).

Conserver tous les emballages pour une éventuelle utilisation ultérieure, que ce soit pour un déménagement ou un retour en usine.

Pour installer l'insert :

1. Retirer la grille de la cheminée, le bac de récupération des cendres, etc.
2. La grille du foyer doit être rangée pour une éventuelle utilisation ultérieure.
3. Nettoyer le foyer pour enlever les résidus de cendres, la poussière, etc.

À l'arrière de l'insert, deux supports réglables sont fournis pour mettre l'insert à niveau lorsque la base de l'ouverture de la cheminée est située au-dessus du niveau du foyer. L'insert peut maintenant être installé dans la cheminée.

Veiller à ce que l'appareil soit mis en position **ARRÊT**.

Tenir l'insert par les côtés du cadre et le mettre soigneusement en place. Brancher l'insert sur une prise de 13 ampères/240 volts. Veiller à ce que le câble d'alimentation sorte sur le devant de l'insert, à droite ou à gauche en fonction de l'emplacement de la prise électrique, et qu'il ne soit pas prisonnier sous l'insert, ce qui pourrait l'endommager.

Avant d'utiliser les commandes manuelles, remplir tout d'abord le réservoir d'eau (voir "Entretien", "Remplissage du réservoir d'eau").

Commandes manuelles.

Les commandes manuelles Opti-myst se trouvent à la partie supérieure de l'insert. Relever le bandeau pour accéder aux commandes (voir Fig. 2 pour connaître la disposition des commandes manuelles).

Interrupteur "A" : commande l'alimentation électrique de l'insert.

Remarque : Cet interrupteur doit se trouver en position "MARCHE" (I) pour que l'insert fonctionne et dégage, ou non, de la chaleur.

Interrupteur "B" : commande le fonctionnement de l'insert.


Appuyer une fois sur  pour mettre en marche l'effet flamme. Un bip sonore retentit.

Bien que les ampoules principales fonctionnent immédiatement, 30 secondes supplémentaires sont nécessaires pour que l'effet flamme démarre.

Appuyer de nouveau sur  pour obtenir l'effet flamme et un chauffage moyen. Deux bips sonores retentissent.

Appuyer de nouveau sur  pour obtenir l'effet flamme et un chauffage complet. Trois bips sonores retentissent.

Appuyer de nouveau sur  pour revenir à l'effet flamme seul. Un bip sonore retentit.

Appuyer sur  pour mettre l'insert en veille. Un bip sonore retentit.

Bouton "C" : commande l'intensité de l'effet flamme. Tourner le bouton dans le sens horaire augmente l'effet flamme, tourner le bouton dans le sens antihoraire diminue l'effet flamme.

Bouton "D" : commande le réglage du thermostat électronique.

Tourner le bouton dans le sens horaire diminue le réglage de température, tourner le bouton dans le sens antihoraire augmente le réglage de température.

DEL "E" : lorsqu'elle est allumée, elle indique que le réservoir d'eau est vide. Deux bips sonores retentissent. Lorsque le réservoir d'eau est vide, les ampoules principales s'éteignent. Voir les instructions de la section "Entretien", "Remplissage du réservoir d'eau". Une fois cette opération effectuée, les ampoules principales s'allument mais 30 secondes sont nécessaires pour que les flammes réapparaissent.

Thermostat électronique

Le thermostat contrôle la sortie de chaleur en fonction de la température de la pièce. Cela permet d'assurer que l'insert ne génère pas inutilement de chaleur si la pièce est déjà chauffée.


Tourner le bouton de régulation "D" du thermostat (voir Fig. 2) dans le sens antihoraire pour sélectionner la température de fonctionnement désirée. Il est également possible de tourner à fond le bouton "D" du thermostat (voir Fig. 2) afin de chauffer rapidement une pièce froide. Une fois que la pièce a atteint la température désirée, tourner le bouton de régulation "D" du thermostat (voir Fig. 2) dans le sens horaire jusqu'à obtenir le niveau de chaleur souhaité. L'insert fonctionne alors automatiquement à cette température.

Fonctionnement à distance

Sur le panneau de commande, l'interrupteur A (voir Fig. 2) doit être en position "MARCHE" (I) pour que la télécommande fonctionne. La télécommande comporte 3 boutons (voir Fig. 7).

Pour fonctionner correctement, la télécommande doit être dirigée vers l'effet flamme.

Les fonctions de la télécommande sont les suivantes :

 **Appuyer une fois pour allumer l'effet flamme uniquement.** Un bip sonore retentit.

Appuyer une fois pour allumer le chauffage moyen et l'effet flamme.



Deux bips sonores retentissent.

Appuyer de nouveau pour allumer le chauffage complet et l'effet flamme.

Trois bips sonores retentissent.



Veille

Un bip sonore retentit.

Informations concernant les piles.

1. Retirer le couvercle des piles à l'arrière de la télécommande (voir Fig. 7).
2. Installer des piles AAA dans la télécommande.
3. Remettre en place le couvercle des piles.

Mettre au rebut toute pile présentant des fuites.

Mettre au rebut les piles conformément aux réglementations locales applicables.

L'électrolyte de toute pile est susceptible de fuir si des piles de type différent sont installées ensemble, si les piles sont installées de manière incorrecte, si toutes les piles ne sont pas remplacées simultanément, si les piles sont jetées dans un feu ou en cas de tentative de charge d'une pile non rechargeable.

Disjoncteur thermique

Un disjoncteur thermique est intégré au ventilateur de l'insert pour prévenir les risques dus à une surchauffe. En effet, des dommages sont susceptibles de se produire si la sortie de l'insert est obstruée de quelque manière que ce soit ou si le conduit de cheminée n'a pas été obturé de façon efficace. Si le disjoncteur se déclenche, débrancher l'insert de la prise électrique et attendre environ 10 minutes avant de le rebrancher. Avant de rallumer l'insert, éliminer toute obstruction susceptible de restreindre la sortie de chaleur, puis reprendre le fonctionnement normal.

Astuces concernant l'utilisation de l'insert.

1. Faire coulisser le tiroir uniquement lorsque le réservoir d'eau doit être rempli ou qu'une ampoule doit être remplacée, sinon un excédent d'eau risque de se trouver dans le bac et l'effet flamme sera réduit. Si cela se produit, vider l'eau du bac selon les instructions de la section "Entretien".
2. En réglant les flammes au minimum et non pas au maximum, le poêle utilise environ 40 ml d'eau par heure et a une durée de vie 3 fois plus longue.
3. Ne pas incliner ou déplacer l'insert tant qu'il y a de l'eau dans le réservoir ou le bac.
4. Veiller à ce que l'insert soit placé sur un sol de niveau.
5. Le bouton "C" (voir Fig. 2) de réglage des flammes peut être utilisé pour augmenter ou diminuer l'effet.
6. Quelquefois, les flammes semblent plus réelles lorsque ce bouton est réglé sur une position basse.
7. Donner au générateur de flammes le temps de réagir aux modifications apportées à l'aide du bouton de réglage des flammes.

Entretien

AVERTISSEMENT : DÉBRANCHER L'APPAREIL DU SECTEUR AVANT DE RÉALISER TOUTE OPÉRATION D'ENTRETIEN

Remplacement des ampoules.

Si une grande quantité de fumée semble grise ou incolore, il se peut qu'une ou plusieurs ampoules soient défectueuses. L'état des ampoules peut être vérifié comme suit.

1. En laissant l'effet flamme allumé, faire coulisser délicatement le tiroir à fond en le tirant par la languette (voir Fig. 3).
2. Observer les ampoules à une certaine distance du devant de l'insert et déterminer quelles ampoules doivent être remplacées.
3. Mettre l'interrupteur "A" en position "ARRÊT" et débrancher l'insert du secteur.
4. Attendre environ 20 minutes pour permettre aux ampoules de se refroidir avant de les retirer.
5. Retirer le réservoir d'eau en le soulevant vers le haut et le placer dans un évier.
6. Retirer le bac tel que décrit dans la section Nettoyage.
7. Retirer l'ampoule défectueuse en la soulevant délicatement à la verticale et en sortant les broches de leur support (voir Fig. 4 et 5). Remplacer par une ampoule de couleur Dimplex Opti-myst, 12 V, 50 W, base Gu5.3, avec faisceau de 8°. (Cette ampoule peut-être achetée sur www.dimplex.co.uk dans la section "Service après-vente", qui fournit toutes les informations relatives à l'achat des ampoules).
8. Insérer soigneusement les deux broches de l'ampoule neuve dans les deux orifices du support de l'ampoule. Appuyer fermement sur l'ampoule pour la mettre en place (voir Fig. 4 et 5).
9. Remettre en place le bac et le réservoir d'eau et refermer soigneusement le tiroir.
10. Mettre sous tension.

Remplissage du réservoir d'eau.

Lors de la première utilisation de l'insert ou lorsque le voyant d'avertissement du niveau d'eau s'allume, 2 bips sonores retentissent. Lorsque le réservoir d'eau est vide et a besoin d'être rempli, suivre les étapes suivantes.

1. Mettre l'interrupteur "A" en position **(0)** (voir Fig. 2)
2. Faire coulisser délicatement le tiroir aussi loin que possible en le tirant par la languette (voir Fig. 3).
3. Retirer le réservoir d'eau en le soulevant vers le haut et vers l'extérieur.
4. Placer le réservoir d'eau dans l'évier et enlever le bouchon (sens antihoraire) pour l'ouvrir (voir Fig. 6).
5. Remplir le réservoir avec **de l'eau du robinet filtrée uniquement**. Cela est nécessaire pour prolonger la durée de vie du générateur de flammes et de fumée. L'eau doit être filtrée au moyen d'un appareil domestique de filtrage conventionnel et le filtre doit être remplacé régulièrement.
6. Revisser le bouchon **sans trop le serrer**.
7. Remettre en place le réservoir dans le bac, en tournant le bouchon du réservoir vers le bas et en tournant le côté plat du réservoir vers l'extérieur.
8. Repousser le tiroir aussi loin que possible.
9. Mettre l'interrupteur "A" en position "MARCHE" (**I**) (voir Fig. 2)
10. Appuyer une fois sur l'interrupteur "B" pour allumer l'effet flamme (voir section sur les commandes manuelles et la Fig. 2).

Nettoyage.

AVERTISSEMENT – DÉBRANCHER L'ALIMENTATION SECTEUR AVANT DE NETTOYER LE POÊLE.

Nous conseillons de nettoyer les éléments suivants une fois toutes les 2 semaines, en particulier dans les régions où l'eau est calcaire :

réservoir d'eau, bac et joint, couvercle du bac, bouchon du réservoir et joint, filtre à air.

Pour un nettoyage régulier, utiliser un chiffon à poussière doux et ne jamais utiliser de produits nettoyants abrasifs. Utiliser la brosse douce d'un aspirateur de temps à autre pour nettoyer la grille du ventilateur et éliminer la poussière et les peluches qui se sont accumulées.

Réservoir d'eau

1. Retirer le réservoir d'eau comme décrit précédemment, le placer dans un évier et vider l'eau.
2. À l'aide de la brosse fournie, frotter délicatement les surfaces intérieures du bouchon en faisant particulièrement attention à la bague en caoutchouc de la rainure extérieure et au joint central en caoutchouc.
3. Mettre une petite quantité de détergent dans le réservoir, remettre en place le bouchon et bien secouer. Rincer jusqu'à ce que toutes les traces de détergent disparaissent.
4. Remplir avec de l'eau du robinet filtrée uniquement, remettre en place le bouchon sans trop serrer.

Bac

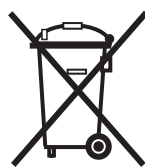
1. Mettre l'interrupteur "A" en position "ARRÊT" (0).
2. Faire coulisser délicatement le tiroir aussi loin que possible (voir Fig. 3).
3. Retirer le réservoir d'eau en le soulevant vers le haut.
4. Débrancher le connecteur électrique placé du côté gauche du bac en desserrant tout d'abord les deux vis de retenue et en le dégageant soigneusement (voir Fig. 8).
5. Relâcher les attaches inférieures de maintien du bac en les tournant de 90°. Cela permet de dégager complètement le bac (voir Fig. 9).
6. Soulever délicatement le bac en veillant à le maintenir droit de façon à ne pas renverser l'eau. Placer l'ensemble dans l'évier (voir Fig. 10).
7. Libérer les deux attaches supérieures de maintien du bac en les tournant de 90°, puis soulever le couvercle du bac (voir Fig. 11).
8. Incliner délicatement, comme illustré, de façon à vidanger le liquide du bac (voir Fig. 12).
9. Placer une petite quantité de détergent dans le bac et, à l'aide de la brosse fournie, nettoyer délicatement toutes les surfaces y compris les disques métalliques et le joint en caoutchouc qui se trouve dans la surface rainurée supérieure. **Ne pas retirer les joints en caoutchouc** (voir Fig. 13 et 14).
10. Une fois nettoyé, rincer soigneusement le bac avec de l'eau propre.
11. Nettoyer la surface de sortie du couvercle du bac avec la brosse et rincer abondamment à l'eau (voir Fig. 15 et 16).
12. Procéder aux étapes ci-dessus dans l'ordre inverse pour remonter l'ensemble.

Filtre à air.

1. Mettre l'interrupteur "A" en position "ARRÊT" (0) (voir Fig. 2).
2. Faire coulisser délicatement le tiroir aussi loin que possible (voir Fig. 3).
3. Retirer le réservoir d'eau et le placer dans un évier avec le bouchon tourné vers le haut.
4. Faire coulisser délicatement le support en plastique du filtre à air vers le haut (voir Fig. 17).
5. Retirer l'ensemble filtre du support en plastique.
6. Le rincer soigneusement à l'eau dans l'évier et le sécher avec une serviette en tissu avant de le remettre en place.
7. Remettre en place l'ensemble filtre en veillant à ce que le filtre noir épais soit en contact avec le support en plastique (voir Fig. 18).
8. Remettre en place le réservoir.
9. Fermer complètement le tiroir.
10. Mettre l'interrupteur "A" en position "MARCHE" (I) (voir Fig. 2)

Recyclage.

Pour les produits électriques vendus au sein de l'Union Européenne. Les produits électriques ne doivent pas être mis au rebut avec les déchets ménagers lorsqu'ils arrivent en fin de vie. Veiller à les recycler dans les endroits prévus à cet effet. Contacter l'administration locale ou le revendeur pour connaître la procédure de recyclage en vigueur dans le pays d'utilisation.



Service après-vente.

L'insert est garanti un an à compter de la date d'achat. Nous nous engageons pendant cette période à réparer ou échanger gratuitement cet insert (à l'exception des ampoules et selon les disponibilités) s'il a été installé et utilisé conformément à ces instructions. Pour solliciter le service après-vente ou se procurer des pièces détachées, contacter le vendeur du produit ou le service d'assistance du pays désiré au numéro indiqué sur le bon de garantie. Ne pas retourner un insert défectueux sans notre accord préalable car il risquerait de se perdre ou de subir des dommages en conséquence de quoi le délai requis pour offrir un service satisfaisant à l'utilisateur en serait inévitablement affecté. Conserver soigneusement la facture en guise de preuve d'achat.

Dépannage

Symptôme	Cause	Action corrective
L'effet flamme ne démarre pas.	<p>La fiche n'est pas branchée sur une prise secteur.</p> <p>L'interrupteur A est en position « MARCHE » (I), mais l'interrupteur B de mode n'a pas été enfoncé (voir Fig. 2). Faible niveau d'eau.</p> <p>Le connecteur de basse tension n'est pas branché correctement (voir Fig. 8).</p>	<p>S'assurer que le connecteur basse tension est correctement branché.</p> <p>Appuyer une fois sur l'interrupteur B pour obtenir l'effet flamme (voir Fig. 2) Vérifier la DEL « E » d'avertissement de faible niveau d'eau, sur le panneau de commande (voir Fig. 2). Si elle est allumée, remplir le réservoir d'eau.</p> <p>Vérifier que le connecteur est inséré correctement (voir Fig. 8).</p>
L'effet flamme est trop faible.	<p>Le bouton de réglage de l'effet flamme est réglé trop bas (voir Fig. 2). Le niveau d'eau dans le bac est peut-être trop élevé parce que le tiroir a été ouvert et fermé un certain nombre de fois ou que le réservoir d'eau a été retiré un certain nombre de fois ou que le poêle a été déplacé.</p> <p>Le disque métallique situé à la base du bac est peut-être sale (voir Fig. 13)</p>	<p>Augmenter le niveau des flammes en tournant lentement le bouton de régulation C dans le sens horaire (voir Fig. 2). Si le niveau d'eau dans le bac est supérieur à 40 mm, le bac doit être retiré et vidé dans un évier.</p> <p>Nettoyer les disques métalliques à l'aide de la brosse souple fournie (voir Fig. 13). Voir la section « Entretien » pour connaître la procédure pas-à-pas.</p>
Une odeur désagréable se dégage lors de l'utilisation de l'insert.	<p>Eau sale ou stagnante.</p> <p>Utilisation d'eau du robinet non filtrée.</p>	<p>Nettoyer l'insert comme décrit dans la section Entretien.</p> <p>Utiliser uniquement de l'eau du robinet filtrée.</p>
L'effet flamme produit trop de fumée.	L'effet flamme est réglé trop haut.	Tourner le bouton de réglage C de l'effet flamme dans le sens antihoraire, jusqu'à ce qu'il soit au minimum puis le tourner lentement dans le sens horaire, de ¼ de tour environ à la fois. Donner au générateur de flammes le temps de se régler avant de modifier le réglage (voir Fig. 2).
Les ampoules principales ne fonctionnent pas et il n'y a pas de flammes ni de fumée.	<p>La DEL « E » (voir Fig. 2) est allumée.</p> <p>La DEL « E » (voir Fig. 2) n'est pas allumée.</p>	<p>Suivre les instructions de la section Entretien, « Remplissage du réservoir d'eau ».</p> <p>Vérifier que la fiche est correctement branchée sur une prise murale. L'interrupteur « A » de la Fig. 2 est en position « MARCHE » (I). Appuyer sur l'interrupteur « B » de la Fig. 2 de manière qu'un seul bip sonore soit émis, signalant la mise en marche de l'effet flamme.</p>

IMPORTANTE: ESTAS INSTRUÇÕES DEVEM SER LIDAS COM ATENÇÃO E GUARDADAS PARA CONSULTA FUTURA

Aviso de Segurança Importante:

Quando utilizar aparelhos eléctricos, deverá seguir sempre as precauções básicas, de forma a reduzir o risco de incêndio, de choques eléctricos e ferimentos, incluindo o seguinte:

Se o aparelho estiver danificado, consulte o fornecedor antes de o instalar e colocar em funcionamento.

Não utilize o aparelho no exterior.

Não o utilize perto de uma banheira, chuveiro ou piscina.

Não coloque o aquecedor debaixo de tomadas eléctricas ou caixas de ligação.

Este aparelho não se destina a ser utilizado por crianças ou outras pessoas, sem a devida assistência ou supervisão, caso as suas capacidades físicas, sensoriais ou mentais os impeçam de o utilizar com segurança. As crianças devem ser vigiadas para garantir que não brincam com o aparelho.

Não use este aquecedor ao mesmo tempo que um controlo termal, um controlador de programas, um temporizador ou qualquer outro dispositivo que altera o calor automaticamente, uma vez que existe um risco de incêndio quando o aquecedor é coberto ou deslocado acidentalmente.

Certifique-se de que móveis, cortinas ou outros objectos combustíveis se encontram a mais de 1 metro do aquecedor.

Em caso de avaria, desligue o aquecedor.

Se não utilizar o aquecedor por longos períodos, desligue-o.

Apesar deste aquecedor respeitar normas de segurança, não é recomendável a sua utilização em carpetes ou tapetes de pêlo comprido.

O aparelho deve ser posicionado de forma a facilitar o acesso à tomada.

Se o cabo de alimentação estiver danificado deverá ser substituído pelo fabricante, pelo agente de manutenção ou por um técnico qualificado para evitar perigos.

Mantenha o cabo de alimentação longe da parte frontal do aquecedor.

AVISO: De forma a evitar um sobreaquecimento, não cubra o aquecedor. Não coloque material nem peças de roupa no aquecedor, ou obstrua a circulação de ar à volta do aquecedor.



O aquecedor possui um símbolo de Aviso indicando que este não deve ser coberto.

Aspectos gerais.

Retire cuidadosamente o aquecedor da embalagem e guarde-a para uma eventual utilização futura, em caso de mudança ou de devolução. O Controlo Remoto e as pilhas estão embalados separadamente na caixa.

O aparelho incorpora um efeito de chama, que pode ser utilizado com ou sem aquecimento para que seja desfrutado em qualquer altura do ano. A utilização do efeito chama requer um consumo mínimo de energia.

O aquecedor foi concebido para inserção numa abertura de lareira com uma largura de 407 mm (16") ou 457 mm (18") por 559 mm (22") de altura ou ser posicionado de forma independente - consulte também a secção 'Instruções de instalação'.

Antes de ligar o aquecedor, verifique que a sua tensão de alimentação corresponde com aquela que está indicada no aquecedor.

Tenha em atenção: Se o aparelho for utilizado num ambiente onde o ruído de fundo seja bastante baixo, é possível que ouça um som relacionado com o funcionamento do efeito de chama. Isto é normal e não deve preocupar-se.

Ligação eléctrica.

AVISO – ESTE APARELHO DEVE TER LIGAÇÃO À TERRA.

Este aquecedor deve ser utilizado apenas com alimentação CA ~ e a voltagem assinalada no aquecedor deve corresponder à voltagem da alimentação.

Antes de ligar, leia todos os avisos de segurança e instruções de funcionamento.

GUARDE ESTE MANUAL DE UTILIZADOR PARA REFERÊNCIA FUTURA

Não coloque os componentes plásticos da Opti-myst na máquina de lavar louça.

Abra a gaveta apenas quando o tanque de água necessitar de ser reabastecido ou seja necessário substituir uma lâmpada, caso contrário, altera inadvertidamente o nível da água e o funcionamento do efeito de chama.

Utilize apenas água da torneira filtrada neste aparelho. Certifique-se sempre de que o aparelho está colocado num piso nivelado.

Se tem intenções de não utilizar o aparelho por mais de 2 semanas, escoe a água do reservatório e do tanque e seque o reservatório.

Uma vez instalado, não volte este aparelho nem o deite de costas, sem que tenha escoado a água do reservatório e do tanque.

O tanque de água, o reservatório, a tampa do reservatório, o tampão do tanque e os filtros do ar devem ser limpos de duas em duas semanas, especialmente em áreas de água pesada.

O aparelho nunca deve ser colocado em funcionamento se as lâmpadas não estiverem a funcionar.

As lâmpadas devem ser inspeccionadas com regularidade, como descrito na secção 'Manutenção' e 'Trocar as lâmpadas'.

Instruções de instalação

Antes de instalar este aparelho, recomendamos que ;

1. Mandar limpar a sua chaminé por um limpa-chaminés profissional.
2. Bloqueie a conduta de fumos da chaminé.

Este procedimento é importante para um funcionamento eficiente da unidade de aquecimento e reduz também a perda de calor através da chaminé.

Instalação.

Certifique-se de que retirou todos os itens da embalagem (leia cuidadosamente quaisquer etiquetas de aviso).

Guarde a embalagem completa para utilização futura, em caso de mudança ou devolução ao seu fornecedor.

Para instalar o aparelho ;

1. Remova a grade da lareira, o recipiente de recolha de cinza, etc.
2. O recipiente de recolha de cinza deve ser guardado para uma eventual utilização futura.
3. Limpe o chão de qualquer cinza ou pó, etc.

Na parte traseira do aparelho, no local onde a base da abertura da salamandra se ergue acima do nível do solo, existem dois suportes ajustáveis para nivelar o mesmo. Está agora pronto para instalar a salamandra eléctrica no local da lareira.

Certifique-se de que a unidade está **DESLIGADA**.

Segure a salamandra pelos lados e, cuidadosamente, desloque-a até à posição desejada. Ligue a salamandra a uma tomada de 13 amp/240 volt. Certifique-se de que o cabo de alimentação sai na frente da salamandra, no canto do lado esquerdo ou direito e não fica preso por baixo da salamandra, uma vez que isso pode danificar o mesmo, para depois ser inserido na tomada eléctrica.

Antes de utilizar os controlos manuais, encha o tanque da água (Consulte 'Manutenção', 'Encher o tanque da água').

Controlos manuais.

Os controlos manuais da Opti-myst localizam-se por baixo da cobertura da campânula articulada. Levante a cobertura da campânula articulada para aceder aos controlos. (Consulte a Fig. 2 para a disposição dos Controlos manuais)

Interruptor 'A':- Controla o fornecimento de electricidade ao aquecedor.

Nota: Este interruptor deve encontrar-se na posição 'ON' (I) para que o aquecedor funcione com ou sem difusão de calor.


Interruptor 'B':- Controla o funcionamento da chama.


Pressione uma vez para accionar o efeito chama.


Será indicado por um sinal sonoro.

Embora as luzes principais funcionem imediatamente, demora mais 30 segundos até iniciar o efeito chama.

Pressione novamente para obter o efeito chama e metade do calor. Isto será indicado por dois sinais sonoros.

Pressione  novamente para obter o efeito chama e a totalidade do calor. Isto será indicado por três sinais sonoros.

Pressione  novamente para regressar apenas ao efeito chama. Será indicado por um sinal sonoro.

Pressione  para colocar a salamandra em modo de espera. Será indicado por um sinal sonoro.

Botão de controlo 'C':- Controla a intensidade do efeito de chama.

Rodando o botão de controlo no sentido dos ponteiros do relógio aumenta o efeito de chama, rodando o botão de controlo no sentido contrário ao dos ponteiros do relógio diminui o efeito chama.

Botão de Controlo 'D':- Controla a opção do Termóstato Electrónico.

Rodando o botão de controlo no sentido dos ponteiros do relógio diminui a opção de temperatura, rodando o botão de controlo no sentido contrário ao dos ponteiros do relógio aumenta a opção de temperatura.

LED 'E':- Quando este está iluminado indica que o tanque da água está vazio. Escutará dois sinais sonoros.

Quando a água acaba, as lâmpadas principais apagam.

Consulte as instruções nas secções 'Manutenção', 'Encher o tanque de água'. Terminado este procedimento, as lâmpadas principais acendem-se, mas demora 30 segundos até que regressem as chamas.

Termóstato Electrónico

O termóstato controla a saída de calor de acordo com a temperatura ambiente. Isto assegura que o aquecedor não produza calor desnecessário quando a divisão estiver quente.

Para regular a temperatura que pretende, rode o botão de controlo do termóstato 'D' (Consulte a Fig. 2) no sentido contrário ao dos ponteiros do relógio, até alcançar a temperatura pretendida. Por outro lado, para aquecer rapidamente uma divisão fria, rode o botão de controlo do termóstato 'D' (Consulte a fig. 2) na sua totalidade. Assim que a divisão tenha alcançado a temperatura pretendida, rode o botão de controlo do termóstato 'D' (Consulte a Fig. 2) no sentido dos ponteiros do relógio até alcançar a opção de calor pretendida.

A partir desse momento o aquecedor funcionará a essa temperatura.

Funcionamento do Controlo Remoto

No painel de controlo, o Interruptor A (consulte a Fig.

2) deve de estar na posição 'ON' (I) para permitir o funcionamento do controlo remoto. Existem 3 botões no controlo remoto. (Consulte a Fig. 7)

Para funcionar correctamente, o controlo remoto deve ser apontado na direcção da frente do efeito de combustível.

As funções do controlo remoto são as seguintes:



Pressione uma vez para accionar o efeito de Chama. Será indicado por um sinal sonoro.

Pressione uma vez para accionar metade do calore o efeito de Chama.



Isto será indicado por dois sinais sonoros. Pressione novamente para accionar a Totalidade do calor e o efeito de Chama.

Isto será indicado por três sinais sonoros.



Modo de espera

Será indicado por um sinal sonoro.

Informações sobre as pilhas.

1. Abra a tampa das pilhas na parte traseira do controlo remoto. (Consulte a Fig. 7)
2. Coloque pilhas de tipo AAA no controlo remoto.
3. Volte a colocar a tampa.

Elimine as pilhas com fuga de líquido.

A eliminação das pilhas deve respeitar as normas locais. Qualquer pilha poderá derramar electrólito caso seja misturada com uma pilha de tipo diferente, caso seja introduzida incorrectamente, caso não sejam substituídas todas as pilhas simultaneamente, caso sejam colocadas numa fogueira ou, caso se tente recarregar uma pilha que não se destina a ser carregada.

Disjuntor térmico de segurança

O aquecedor está equipado com um disjuntor térmico de segurança para prevenir danos provocados por sobreaquecimento. Esta situação pode ocorrer caso, por algum motivo, a saída de calor tenha sido obstruída de alguma forma ou se a conduta de fumos da chaminé não tiver sido devidamente bloqueada. Se o disjuntor disparar, desligue o aquecedor da tomada eléctrica e aguarde aproximadamente 10 minutos antes de o voltar a ligar. Antes de voltar a ligar o aquecedor, remova qualquer obstrução que possa estar a obstruir a saída de calor, depois, continue com o funcionamento normal.

Conselhos para a utilização do seu aparelho.

1. Abra a gaveta apenas quando o tanque de água necessitar de ser reabastecido ou para trocar uma lâmpada, caso contrário, pode levar a um excesso de água no reservatório e um efeito de chama reduzido. Caso isto aconteça, escoe a água do reservatório como indicado em 'Manutenção'.
2. Com a opção de chama mínima a unidade utiliza aproximadamente 40 ml de água por hora e dura 3 vezes mais do que quando está seleccionada a opção de chama máxima.
3. Não incline nem mova a salamandra enquanto existir água no reservatório ou tanque.
4. Certifique-se de que a salamandra se encontra num piso nivelado.
5. O botão 'C' de controlo da chama, Fig. 2, pode ser rodado para cima ou para baixo para se obter um efeito mais realista.
6. Por vezes, as chamas parecem mais realistas quando o botão de controlo da chama está rodado para baixo.
7. Dê algum tempo ao gerador da chama para reagir a alterações efectuadas através do botão de controlo da chama.

Manutenção

AVISO: RETIRE SEMPRE A FICHA DA TOMADA ANTES DE EFECTUAR QUALQUER TIPO DE MANUTENÇÃO

Trocar as lâmpadas.

Caso surja uma grande quantidade de fumo cinzento ou sem cor, é provável que uma ou mais lâmpadas se tenham fundido. Pode verificar a falha das lâmpadas da seguinte forma.

1. Deixando o efeito chama ligado, puxe cuidadosamente a gaveta pela aba para fora. (Consulte a Fig. 3)
2. Observe as lâmpadas à distância, colocando-se à frente da salamandra e confirme quais as lâmpadas que têm de ser substituídas.
3. Coloque o Interruptor 'A' na posição 'OFF' e desligue a salamandra da rede eléctrica.
4. Não mexa no equipamento durante 20 minutos para permitir que as lâmpadas arrefeçam antes de as remover.
5. Remova o tanque da água levantando-o para cima e colocando-o num lava-louça.
6. Remova o reservatório como descrito na Secção Limpeza.
7. Remova a lâmpada defeituosa, levantando-a cuidadosamente na vertical e desencaixando os pinos do suporte da lâmpada, (Consulte a Fig. 4 e 5). Substitua por uma lâmpada colorida, com uma largura de feixe de 8°, base Gu5.3, 50 W, 12 V, Dimplex Opti-myst. (Adquirida em www.dimplex.co.uk, na secção 'Serviços Pós-venda'. Neste site, podem encontrar-se mais detalhes acerca da compra de lâmpadas).
8. Insira cuidadosamente os dois pinos da lâmpada nova nos dois orifícios do suporte da lâmpada. Pressione com firmeza. (Consulte as Fig. 4 e 5).
9. Volte a montar o Reservatório e o tanque da água e feche cuidadosamente a gaveta.
10. Ligue o aparelho.

Encher o tanque da água.

Quando utilizar o aparelho pela primeira vez, ou quando a luz de aviso do nível da água acender, escutará 2 sinais sonoros que indicam que o tanque da água está vazio e necessita de ser reabastecido ; siga os seguintes passos.

1. Pressione o Interruptor 'A' para **(0)** (Consulte a Fig. 2)
2. Puxe cuidadosamente a gaveta o mais possível para fora. (Consulte a Fig. 3)
3. Remova o tanque da água levantando-o para cima e para fora.
4. Coloque o tanque da água no lava-louça e retire o tampão, rodando no sentido oposto ao dos ponteiros do relógio para abrir. (Consulte a Fig. 6)
5. Encha o tanque somente com **água da torneira filtrada**. Isto é necessário para prolongar o tempo de vida da chama e da unidade de produção de fumo. A água deve ser filtrada através de uma unidade doméstica convencional de filtragem de água e o filtro deve ser substituído regularmente.
6. Volte a colocar o tampão, **sem apertar demasiado**.
7. Volte a montar o tanque no reservatório, com o tampão do tanque voltado para baixo e a superfície plana voltada para fora.
8. Empurre cuidadosamente a gaveta para dentro o mais possível.
9. Pressione o Interruptor 'A' para a posição 'ON' (I) (Consulte a Fig. 2)
10. Pressione o Interruptor 'B' para ligar o efeito chama. (Consulte a secção acerca do controlo manual e a Fig. 2)

Limpeza.

AVISO – RETIRE SEMPRE A FICHA DA TOMADA ANTES DE LIMPAR O AQUECEDOR.

Recomendamos a limpeza dos seguintes componentes de duas em duas semanas, especialmente em áreas de água dura:-

Tanque de Água, Reservatório e Vedante, tampa do Reservatório, tampão do Tanque e vedante, filtro de Ar. Para uma limpeza geral, utilize um pincel macio e limpo – nunca utilize detergentes abrasivos. Para remover a acumulação de pó ou algodão, poderá utilizar a escova macia de um aspirador para limpar a grelha de saída do termoventilador.

Tanque da água

1. Remova o tanque da água como descrito anteriormente, coloque-o no lava-louça e escoe a água.
2. Utilizando o pincel fornecido, esfregue cuidadosamente a superfície interior do tampão, prestando atenção em especial à anilha de borracha existente na ranhura exterior e ao vedante de borracha no centro.
3. Coloque uma pequena quantidade de líquido de lavagem no tanque, volte a colocar o tampão e agite bem, passe bem por água até que tenham desaparecido todos os vestígios do líquido de lavagem.
4. Volte a encher apenas com água da torneira filtrada, coloque o tampão, sem apertar demasiado.

Reservatório

1. Pressione o Interruptor 'A' para a posição 'OFF' (0)
2. Puxe cuidadosamente a gaveta o mais possível para fora. (Consulte a Fig. 3)
3. Remova o tanque da água levantando-o para cima.
4. Desligue a ficha eléctrica localizada do lado esquerdo do reservatório, soltando primeiro os dois parafusos de fixação e retire cuidadosamente a ficha. (Consulte a Fig. 8)
5. Solte as abas de bloqueio inferiores do reservatório rodando-as 90°, o que permite levantar o reservatório completamente da sua localização. (Consulte a Fig. 9)
6. Levante cuidadosamente o conjunto do reservatório, tendo cuidado para o manter nivelado e não derramar água. Coloque o conjunto no lava-louça. (Consulte a Fig. 10)
7. Solte as abas de bloqueio superiores do reservatório rodando-as 90° e retire a tampa do reservatório. (Consulte a Fig. 11)
8. Incline cuidadosamente, como apresentado, de forma a escoar o líquido do reservatório. (Consulte a Fig. 12)
9. Coloque uma pequena quantidade de líquido de lavagem no reservatório e, utilizando o pincel fornecido, limpe cuidadosamente as superfícies, incluindo os discos de metal e o vedante de borracha localizado na superfície ranhurada do topo. **Não remova os vedantes de borracha.** (Consulte a Fig. 13 e 14)
10. Quando estiver limpo, enxagúe bem o reservatório com água limpa.
11. Limpe a superfície de saída da tampa do reservatório com um pincel e passe bem por água. (Consulte a Fig. 15 e 16)
12. Execute os passos acima descritos pela ordem inversa para voltar a montar.

Filtro de ar.

1. Pressione o Interruptor 'A' para a posição 'OFF' (0) (Consulte a Fig. 2)
2. Puxe cuidadosamente a gaveta o mais possível para fora. (Consulte a Fig. 3)
3. Remova o tanque e coloque-o num lava-louça com o tampão virado para cima.
4. Faça deslizar cuidadosamente para cima o suporte de plástico do filtro do ar. (Consulte a Fig. 17)
5. Remova o conjunto do filtro do suporte plástico.
6. Passe-o cuidadosamente por água no lava-louça e seque com um pano antes de voltar a montar.
7. Volte a montar o conjunto do filtro, certificando-se de que o filtro preto está em contacto com o suporte plástico. (Consulte a Fig. 18)
8. Volte a montar o tanque.
9. Feche a gaveta totalmente.
10. Pressione o Interruptor 'A' para a posição 'ON' (I) (Consulte a Fig. 2)

Reciclagem.

Para produtos eléctricos vendidos na Comunidade Europeia. Quando os produtos eléctricos atingem o final da sua vida útil, não devem ser eliminados juntamente com o lixo doméstico. Faça a reciclagem nos locais apropriados. Consulte a sua Autoridade Local ou revendedor para obter mais informações sobre reciclagem no seu país.



Serviço Pós-Venda.

A garantia do seu produto é válida durante um ano a partir da data de compra. Durante este período, responsabilizamo-nos pela reparação ou troca gratuita deste produto (excluindo lâmpadas e estando sujeito à disponibilidade), desde que este tenha sido instalado e utilizado de acordo com estas instruções. Se necessitar recorrer ao serviço pós-venda ou de adquirir peças sobressalentes, contacte o fornecedor ao qual comprou o aparelho ou ligue para o número do serviço no seu país, indicado no cartão de garantia. Não nos devolva um produto avariado de imediato, uma vez que essa acção pode resultar em perda ou danos e atraso no fornecimento de um serviço satisfatório. Conserve o recibo como prova de compra.

Resolução de problemas

Sintomas	Causa	Acção correctiva
O efeito chama não funciona.	<p>A tomada principal não está ligada.</p> <p>O interruptor A está na posição 'ON' (I), mas o modo do Interruptor B não foi pressionado. (Consulte a Fig. 2) Nível da água baixo.</p> <p>A ficha eléctrica de baixa tensão não está devidamente ligada. (Consulte a Fig. 8)</p>	<p>Verifique se a ficha está ligada correctamente à tomada.</p> <p>Pressione o Interruptor B uma vez, para accionar o efeito de chama (ver Fig. 2). Verifique o LED 'E' de aviso 'Nível de água baixo' por baixo da campânula extractora de fumos. (Consulte a Fig. 2). Se estiver 'ON', encha o tanque.</p> <p>Verifique se a ficha está inserida correctamente. (Consulte a Fig. 8)</p>
O efeito chama está muito fraco.	<p>O botão de controlo do efeito de chama está regulado para um menor efeito. (Consulte a Fig. 2) A água existente no reservatório pode ter um nível demasiado elevado, devido à gaveta ter sido aberta e fechada várias vezes, à remoção repetida do tanque ou à salamandra ter sido movida.</p> <p>O disco de metal existente na base do reservatório pode estar sujo (ver Fig. 13)</p>	<p>Aumente o nível da chama rodando lentamente o botão de controlo C no sentido dos ponteiros do relógio. (Consulte a Fig. 2) Se o nível da água no reservatório for superior a 40 mm, o reservatório deve ser removido e escoado no lava-louça.</p> <p>Limpe os discos de metal com o pincel macio fornecido. (Consulte a Fig. 13) Consulte a secção 'Manutenção.' para o procedimento passo a passo.</p>
Quando utiliza a unidade sente um cheiro desagradável.	<p>Água suja ou com mau cheiro.</p> <p>Utilização de água da torneira não filtrada.</p>	<p>Limpe a unidade como descrito na secção de manutenção.</p> <p>Utilize apenas água da torneira filtrada.</p>
O efeito chama produz demasiado fumo.	<p>A opção do efeito chama está demasiado elevada.</p>	<p>Rode o botão de controlo C do efeito de chama no sentido contrário ao dos ponteiros do relógio até ao mínimo e, lentamente, rode no sentido dos ponteiros do relógio, cerca de um ¼ de cada vez. Dê algum tempo ao gerador de chama para ajustar-se antes de aumentar. (Consulte a Fig. 2)</p>
As lâmpadas principais não funcionam e não existem chamas ou fumo.	<p>O LED 'E' da Fig. 2 está aceso.</p> <p>O LED 'E' Fig. 2 não está aceso.</p>	<p>Siga as instruções indicadas na secção Manutenção, 'Encher o tanque de água.'</p> <p>Verifique se a ficha está ligada correctamente à tomada. O Interruptor 'A', Fig. 2, não está na posição 'ON' (I). Pressione o interruptor 'B', Fig. 2, até escutar penas um sinal sonoro, para accionar o efeito de chama.</p>

IMPORTANTE: LEA ATENTAMENTE ESTAS INSTRUCCIONES Y GUÁRDELAS PARA FUTURAS CONSULTAS**Aviso de seguridad importante:**

Cuando se utilizan aparatos eléctricos, siempre se deben tomar algunas precauciones básicas para reducir el riesgo de incendio, descarga eléctrica o lesiones personales, tal como se indica a continuación:

Si el aparato está dañado, contacte con el proveedor antes de su instalación y puesta en funcionamiento. No lo utilice al aire libre.

No lo utilice cerca de un baño, una ducha o una piscina.

No coloque el calentador debajo de una toma de corriente o de una caja de conexiones.

Este aparato no está pensado para que lo utilicen niños u otras personas sin ayuda o supervisión, ni personas cuyas capacidades físicas, sensoriales o mentales les impiden usarlo de modo seguro. Para asegurarse de que no jueguen con el aparato, los niños deben estar vigilados.

No utilice este calefactor en serie con un control térmico, un programador, un temporizador ni con cualquier otro dispositivo que encienda la calefacción automáticamente, porque existe el riesgo de incendio si la estufa se cubre o se desplaza accidentalmente.

Compruebe que mobiliario, cortinas u otros materiales combustibles están situados a más de 1 metro de distancia de la estufa.

En caso de que se produzca un fallo, desenchufe el calefactor.

Desenchufe el calefactor si no lo va a utilizar durante largo tiempo.

Aunque este aparato cumple con las normas de seguridad, no es aconsejable colocarlo sobre alfombras mullidas o de pelo largo.

Coloque el aparato de forma que el enchufe esté accesible.

Si el cable de alimentación está dañado, deberá ser sustituido por el fabricante, el técnico o una persona cualificada a fin de evitar cualquier peligro.

Mantenga el cable de alimentación alejado de la parte delantera del calefactor.

ADVERTENCIA: Para evitar recalentamientos, no cubra el calefactor. No deposite tejidos ni prendas sobre el calefactor, ni obstruya la circulación del aire alrededor de él.



El calefactor lleva un símbolo de advertencia que indica que no se lo debe cubrir.

Generalidades.

Extraiga con cuidado el calentador de su embalaje y consérvelo para su uso posterior, en caso de mudanza o devolución del aparato al proveedor. El mando a distancia y las pilas se suministran por separado en el embalaje.

El efecto de llama que incorpora la chimenea puede utilizarse con o sin calor, para disfrutar de su agradable sensación en cualquier época del año. La utilización del efecto de llama apenas consume electricidad.

El calentador está diseñado para instalarlo en un hogar de 407 mm (16") o 457 mm (18") de ancho por 559 mm (22") de alto, o de pie (consulte la sección "Instrucciones de instalación").

Antes de conectar el calefactor, compruebe que la tensión de alimentación coincida con la del aparato.

Tenga en cuenta que: si utiliza el aparato en un lugar muy silencioso, es posible que escuche un ruido debido al efecto llama. Esto es normal y no debe constituir motivo de preocupación.

Conexión eléctrica.

ADVERTENCIA: ESTE APARATO DEBE CONECTARSE A TIERRA.

Este calefactor se debe conectar exclusivamente a una fuente de alimentación de CA, y la tensión señalada en el calentador tiene que coincidir con la tensión de alimentación.

Antes de encenderlo, lea atentamente las advertencias de seguridad y las instrucciones de uso.

CONSERVE ESTA GUÍA DE USUARIO PARA FUTURAS CONSULTAS

No coloque los componentes de plástico del Opti-myst en el lavavajillas.

Retire el cajón sólo cuando haga falta llenar el depósito de agua o cambiar una bombilla; de lo contrario, alterará sin darse cuenta el nivel de agua y el funcionamiento del efecto de llama.

Use únicamente agua de grifo filtrada.

Asegúrese siempre de que el aparato está apoyado en una superficie plana.

Si no tiene previsto usar el aparato durante más de dos semanas, extraiga el agua del sumidero y el depósito de agua, y seque el sumidero.

Una vez instalado, no mueva el aparato ni lo apoye sobre su parte posterior sin extraer el agua del sumidero y el depósito de agua.

El depósito de agua, el sumidero, la tapa del sumidero, la tapa del depósito y los filtros de aire se deben limpiar cada dos semanas, especialmente en zonas de agua dura.

No se debe hacer funcionar el aparato si las bombillas no se encienden.

Las bombillas se deben revisar con regularidad tal como describe en "Mantenimiento" y "Cambio de bombillas".

Instrucciones de instalación

Antes de instalar este aparato, se recomienda:

1. Solicitar a un deshollinador cualificado que limpie la chimenea.
2. Desbloquear el tiro de la chimenea.

Este procedimiento es importante para el funcionamiento eficiente de la unidad y para reducir las pérdidas de calor por la chimenea.

Instalación.

Asegúrese de retirar todos los elementos del embalaje (lea atentamente las etiquetas de advertencia).

Conserve el embalaje para su uso posterior, en caso de mudanza o de devolución del aparato al proveedor.

Para instalar el aparato:

1. Retire la rejilla, la bandeja para cenizas, etc., del hogar.
2. La rejilla se debe guardar para su uso en el futuro.
3. Elimine cualquier residuo de cenizas o polvo del hogar.

El aparato se suministra con dos soportes ajustables situados en la parte trasera para nivelarlo, en caso de que la base del hogar no esté nivelada.

Ya puede instalar la chimenea eléctrica en el hueco de la chimenea.

Asegúrese de que la unidad esté **apagada**.

Sujete la chimenea por los lados e introdúzcala con suavidad en el hueco de la chimenea. Enchufe la chimenea a un toma corriente de 13 amperios/240 voltios. Asegúrese de que delante de la chimenea, a la izquierda o la derecha, haya un cable de suministro que permita enchufar el equipo sin quedar atrapado bajo la chimenea ni sufrir ningún tipo de daño.

Antes de utilizar los controles manuales, llene el depósito de agua (consulte "Mantenimiento"; "Llenado del depósito de agua").

Controles manuales.

Los controles manuales del Opti-myst están situados debajo de la cubierta basculante. Levante la cubierta para acceder a los controles. (Para ver la configuración de los mandos manuales, consulte la Fig. 2)

Interruptor "A": Controla el suministro eléctrico al calefactor.

Nota: Para que el calefactor funcione con o sin calor, el interruptor debe estar en "ON" (I).


Interruptor "B": Controla el funcionamiento del fuego.


Púselo una vez  para encender el efecto de llama.

Vendrá indicado por una señal sonora.

Si bien las luces principales se encenderán de inmediato, el efecto de llama tardará unos 30 segundos en empezar a funcionar.

Vuelva a pulsar  para activar el efecto de llama y calor medio. Oirá dos señales sonoras.

Vuelva a pulsar  para activar el efecto de llama y el máximo de calor. Vendrá indicado por tres señales sonoras.

Vuelva a pulsar  para volver al efecto de llama únicamente. Vendrá indicado por una señal sonora.

Pulse  para poner la chimenea en el modo en espera. Vendrá indicado por una señal sonora.

Perilla "C": Controla la intensidad del efecto de llama.

Gire la perilla hacia la derecha para aumentar el efecto de llama, y hacia la izquierda para reducirlo.

Perilla "D": Controla el ajuste del termostato electrónico.

Gire la perilla hacia la derecha para reducir el ajuste de temperatura, y hacia la izquierda para aumentarlo.

Indicador luminoso "E": Cuando se ilumina, indica que el depósito de agua está vacío. Oirá dos señales sonoras.

Cuando el depósito de agua se vacía, se apagan las luces principales. Consulte las instrucciones de la sección "Mantenimiento"; "Llenado del depósito de agua". Una vez completado este procedimiento, se encenderán las luces principales pero la llama tardará 30 segundos en volver a aparecer.

Termostato electrónico

El termostato controla la salida de calor según la temperatura de la habitación. De este modo se garantiza que el calefactor no genere calor cuando la habitación está caliente.

Para ajustar la temperatura deseada, gire la perilla del termostato "D" (consulte la Fig. 2) hacia la izquierda hasta alcanzar la temperatura deseada. Para calentar rápido una habitación fría, gire la perilla completamente hacia arriba (consulte la Fig. 2). Cuando la habitación alcance la temperatura deseada, gire la perilla del termostato "D" (consulte la Fig. 2) hacia la derecha hasta alcanzar el ajuste deseado.

Ahora el calefactor funcionará de manera automática a esta temperatura.

Funcionamiento del mando a distancia:

En el panel de control, el interruptor A (consulte la Fig. 2) deberá estar en la posición "ON" (I) para poder usar el mando a distancia. El mando a distancia cuenta con tres botones. (Consulte la Fig. 7)

Para que funcione correctamente, debe dirigir el mando hacia el efecto de combustible frontal.

El mando a distancia incorpora las siguientes funciones:



Púselo una vez para encender el efecto de llama únicamente.

Vendrá indicado por una señal sonora.

Púselo una vez para activar el efecto Calor a medio rendimiento y Llama.



Oirá dos señales sonoras.

Vuélvalo a pulsar para activar el calor al máximo y el efecto de llama.

Vendrá indicado por tres señales sonoras.



En espera

Vendrá indicado por una señal sonora.

Información sobre las pilas.

1. Retire la tapa de las pilas de la parte posterior del mando a distancia. (Consulte la Fig. 7)
2. Instale pilas AAA en el mando a distancia.
3. Vuelva a colocar la tapa en su sitio.

Deseche cualquier pila que tenga fugas.

Deseche las pilas correctamente, de acuerdo con la normativa local y nacional.

Cualquier pila puede perder electrolito si se mezcla con otras de tipo diferente, se inserta mal, no se cambia al mismo tiempo que las demás, se arroja al fuego, o se intenta recargar sin ser recargable.

Disyuntor térmico de seguridad

El calefactor incorpora un disyuntor térmico de seguridad, para evitar daños por recalentamiento. Esto puede ocurrir si la salida de calor o el tiro de la chimenea estaban obstruidos de algún modo. Si el disyuntor se activa, desenchufe el calefactor de la toma de corriente y deje pasar al menos 10 minutos antes de volver a enchufarlo. Antes de volver a conectar el calefactor, retire la obstrucción de la salida de calor y reanude el funcionamiento del equipo.

Sugerencias para el uso de su aparato.

1. Abra el cajón sólo cuando llegue el momento de rellenar el depósito de agua o cambiar la bombilla; de lo contrario, podría producirse un exceso de agua en el sumidero o reducirse el efecto de llama. Si esto ocurre, vacíe el agua del sumidero tal como se explica en "Mantenimiento".
2. Con el ajuste de la llama en el mínimo, la unidad utilizará aproximadamente 40 ml de agua por hora y durará tres veces más que con el ajuste en el máximo.
3. No incline ni mueva la chimenea mientras haya agua en el depósito o el sumidero.
4. Asegúrese de que la estufa está firmemente apoyada sobre una superficie plana.
5. La perilla de mando de la llama "C" (Fig. 2) puede subirse o bajarse para dar un efecto más realista.
6. A veces, la llama parece más real cuando la perilla está abajo.
7. Dé un tiempo al generador de llama para reaccionar a los cambios en la perilla de control de llama.

Mantenimiento

ADVERTENCIA: ANTES DE EFECTUAR CUALQUIER MANTENIMIENTO, DESCONECTE LA ALIMENTACIÓN ELÉCTRICA

Cambio de las bombillas.

Si una parte importante del humo parece gris o incoloro, es posible que una o más bombillas se hayan fundido. Puede comprobar la condición de las bombillas de la siguiente manera.

1. Sin apagar el efecto de llama, tire suavemente del cajón hasta el tope. (Consulte la Fig. 3)
2. Observe las bombillas desde la distancia frente a la chimenea y compruebe qué bombillas necesitan recambio.
3. Coloque el interruptor "A" en la posición "OFF", y desconecte la chimenea de la red.
4. Deje reposar el aparato durante 20 minutos para que las bombillas se enfríen antes de retirarlas.
5. Retire el depósito de agua levantándolo hacia arriba y colóquelo en un fregadero.
6. Retire el sumidero tal como se describe en la sección Limpieza.
7. Retire la bombilla defectuosa levantándola suavemente en vertical y desenganchando las clavijas del portalámparas (consulte la Fig. 4 y 5). Sustitúyala por una bombilla tintada Dimplex Opti-myst, 12V, 50W, base Gu5.3, ángulo de haz de luz 8°. (Las puede adquirir en www.dimplex.co.uk bajo la sección "After Sales Service"; allí encontrará más detalles sobre la compra de bombillas.)
8. Inserte cuidadosamente las dos clavijas de la nueva bombilla en los dos orificios del portalámparas. Insértela con firmeza hasta que quede instalada. (Consulte la Fig. 4 y 5).
9. Coloque en su sitio el sumidero y el depósito de agua y cierre cuidadosamente el cajón.
10. Encienda el equipo.

Llenado del depósito de agua.

Cuando use el aparato por primera vez, o cuando se encienda la luz de advertencia de nivel de agua, oírás dos señales sonoras. Significa que el depósito de agua está vacío. Siga los siguientes pasos.

1. Coloque el interruptor "A" en **(0)** (consulte la Fig. 2)
2. Tire suavemente del cajón hasta el tope. (Consulte la Fig. 3)
3. Retire el depósito de agua levantándolo hacia arriba y afuera.
4. Coloque el depósito de agua en un fregadero y retire la tapa (gírela hacia la izquierda para abrirla). (Consulte la Fig. 6)
5. Llene el depósito únicamente **con agua de grifo filtrada**. De esta forma se prolonga la vida de la unidad productora de la llama y el humo. El agua deberá filtrarse mediante una unidad de filtrado de agua convencional y el filtro se deberá sustituir con regularidad.
6. Vuelva a colocar la tapa **sin apretar en exceso**.
7. Vuelva a colocar el depósito en el sumidero, con la tapa del depósito hacia abajo y el lado plano hacia afuera.
8. Introduzca suavemente el cajón hasta el tope.
9. Coloque el interruptor "A" en la posición "ON" **(1)** (consulte la Fig. 2)
10. Pulse una vez el interruptor "B" para activar el efecto de llama. (Consulte la sección de los mandos manuales y la Fig. 2)

Limpieza.

ADVERTENCIA: ANTES DE LIMPIAR EL CALEFACTOR, DESCONECTÉLO DE LA ALIMENTACIÓN.

Se recomienda limpiar los siguientes componentes cada 2 semanas, sobre todo en zonas de agua dura:

depósito de agua, sumidero y junta, tapa del sumidero, tapa y junta del depósito, filtro de agua.

Utilice un paño suave para el polvo y no use nunca productos de limpieza abrasivos. Para eliminar las acumulaciones de polvo o pelusa en la rejilla de salida del calefactor puede utilizar ocasionalmente el cepillo más suave de la aspiradora.

Depósito de agua

1. Retire el depósito de agua tal como se describe más arriba, colóquelo en el fregadero y vacíe el agua.
2. Limpie suavemente las superficies interiores de la tapa con el cepillo suministrado, prestando especial atención a la junta de goma de la ranura exterior y a la junta de goma del centro.
3. Introduzca una pequeña cantidad de líquido de lavavajillas, cierre la tapa y sacuda bien; aclare hasta que desaparezca todo vestigio del líquido lavavajillas.
4. Llene el depósito con agua de grifo filtrada y cierre la tapa sin ajustar en exceso.

Sumidero

1. Coloque el interruptor "A" en la posición "OFF" (0)
2. Tire suavemente del cajón hasta el tope. (Consulte la Fig. 3)
3. Retire el depósito de agua levantándolo hacia arriba.
4. Desconecte el conector eléctrico, situado en el lado izquierdo del sumidero, aflojando primero los dos tornillos sostenedores y retirando el conector con suavidad. (Consulte la Fig. 8)
5. Suelte las lengüetas de cierre girándolas 90°, lo que permite levantar el sumidero de su posición. (Consulte la Fig. 9)
6. Levante con cuidado el conjunto del sumidero, teniendo la precaución de mantenerlo a nivel para evitar que se derrame el líquido. Apoye el conjunto en el fregadero. (Consulte la Fig. 10)
7. Suelte las dos lengüetas de cierre superiores del sumidero girándolas 90°, y levante la tapa del sumidero. (Consulte la Fig. 11)
8. Inclínelo con cuidado, tal como se muestra, para vaciar el sumidero. (Consulte la Fig. 12)
9. Vierta una pequeña cantidad de líquido de lavado en el sumidero y, con el cepillo suministrado, limpie suavemente todas las superficies, incluidos los discos metálicos y la junta de goma situada en la superficie ranurada superior. **No quite las juntas de goma.** (Consulte las Fig. 13 y 14)
10. Una vez limpie, aclare concienzudamente el sumidero con agua limpia.
11. Limpie la superficie de salida de la tapa del sumidero con el cepillo y aclare con un chorro de agua. (Consulte las Fig. 15 y 16)
12. Siga los pasos anteriores en sentido inverso para volver a montar el conjunto.

Filtro de aire.

1. Ponga el interruptor "A" en la posición "OFF" (0) (consulte la Fig. 2)
2. Tire suavemente del cajón hasta el tope. (Consulte la Fig. 3)
3. Retire el depósito y colóquelo en el fregadero con la tapa hacia arriba.
4. Deslice suavemente hacia arriba el soporte de plástico del filtro de aire. (Consulte la Fig. 17)
5. Retire el conjunto del filtro del soporte de plástico.
6. Aclárelo suavemente con agua en el fregadero y séquelo con un paño antes de volver a colocarlo.
7. Vuelva a colocar el conjunto del filtro asegurándose de que el filtro negro esté en contacto con el soporte de plástico. (Consulte la Fig. 18)
8. Vuelva a instalar el depósito.
9. Cierre el cajón.
10. Coloque el interruptor "A" en la posición "ON" (I) (consulte la Fig. 2)

Reciclaje.

Para productos eléctricos vendidos en la Comunidad Europea. Los productos eléctricos que han agotado su vida útil no deben desecharse junto con la basura doméstica. Recíclelos en instalaciones apropiadas. Solicite asesoramiento a las autoridades locales o a su proveedor.



Servicio posventa.

Este producto está garantizado durante un año a partir de la fecha de compra. Dentro de este periodo, nos comprometemos a reparar o cambiar este producto gratuitamente (excepto las bombillas, y sujeto a disponibilidad) siempre que se haya instalado y usado de acuerdo con estas instrucciones. Para solicitar servicio posventa o adquirir algún recambio, diríjase al proveedor del aparato o llame al número de atención al cliente de su país que figura en la tarjeta de garantía. No nos devuelva un producto defectuoso sin antes consultar con el servicio técnico, ya que esto podría generar pérdidas o daños, o dificultar la prestación de un servicio satisfactorio. Guarde el recibo como prueba de compra.

Resolución de problemas

Síntoma	Causa	Acción correctiva
No se produce el efecto de llama.	<p>El cable de alimentación no está enchufado.</p> <p>El interruptor A está en la posición "ON" (I), pero no se ha pulsado el interruptor de modo B. (Consulte la Fig. 2) Nivel de agua bajo.</p> <p>El conector de bajo voltaje no está conectado correctamente. (Consulte la Fig. 8)</p>	<p>Compruebe que el enchufe está correctamente conectado a la toma de corriente.</p> <p>Pulse el interruptor B una vez para que se active el efecto de llama. (Consulte la Fig. 2) Compruebe el LED "E" de advertencia "Nivel de agua bajo" que se encuentra bajo la cubierta. (Consulte la Fig. 2) Si está en "ON", llene el depósito de agua.</p> <p>Compruebe que el conector está correctamente insertado. (Consulte la Fig. 8)</p>
El efecto de llama es muy bajo.	<p>La perilla de control del efecto de llama está en una posición demasiado baja. (Consulte la Fig. 2) Puede haber demasiada agua en el sumidero debido a que el cajón se ha abierto y cerrado muchas veces, el depósito de agua se ha retirado muchas veces o la chimenea se ha movido.</p> <p>El disco metálico de la base del sumidero podría estar sucio (consulte la Fig. 13)</p>	<p>Aumente el nivel de la llama girando lentamente la perilla C hacia la derecha. (Consulte la Fig. 2) Si el nivel de agua del sumidero supera los 40 mm, retire el sumidero y vacíelo en el fregadero.</p> <p>Limpie los discos metálicos con el cepillo suministrado. (Consulte la Fig. 13) Para conocer el procedimiento paso a paso, consulte la sección "Mantenimiento".</p>
Cuando está en uso, la unidad despide un olor desagradable.	<p>Agua sucia o estancada.</p> <p>Uso de agua del grifo sin filtrar.</p>	<p>Limpie la unidad tal como se describe en la sección de mantenimiento.</p> <p>Use únicamente agua de grifo filtrada.</p>
El efecto de llama tiene demasiado humo.	El ajuste del efecto de llama está demasiado alto.	Gire la perilla C de efecto de llama en el sentido contrario al de las agujas del reloj hasta el mínimo y después gírelo lentamente en la dirección contraria, aproximadamente un cuarto de vuelta, a la vez. Dé un poco de tiempo al generador de llama para que se ajuste antes de aumentarlo. (Consulte la Fig. 2)
Las bombillas principales no se encienden y no hay llamas ni humo.	<p>El LED "E" (Fig. 2) está encendido.</p> <p>El LED "E" (Fig. 2) no está encendido.</p>	<p>Siga las instrucciones de Mantenimiento, "Llenado del depósito de agua".</p> <p>Compruebe que el enchufe está correctamente conectado a la toma de corriente. El interruptor "A" (Fig. 2) está en la posición "ON" (I). Para activar el efecto de llama, pulse el interruptor "B" (Fig. 2) hasta que sólo oiga una señal sonora.</p>

Wichtige Anmerkung zur Sicherheit:

Bei der Benutzung elektrischer Geräte sollten grundlegende Vorsichtsmaßnahmen immer getroffen werden, um die Brandgefahr, elektrische Stromschläge und die Verletzungsgefahren für Personen zu meiden. Dazu gehören unter anderem folgende Maßnahmen:

Wenn das Gerät beschädigt ist, wenden Sie sich vor einer Installation und Inbetriebnahme an den Händler. Nicht im Freien benutzen.

Nicht in unmittelbarer Nähe zu einem Bad, einer Dusche oder einem Schwimmbecken verwenden. Das Heizgerät darf nicht unmittelbar unterhalb einer fest angebrachten Steckdose oder Verbindungsdose aufgestellt werden.

Dieses Gerät ist nicht für Kinder oder Personen ohne Hilfestellung oder Beaufsichtigung einer dritten Person geeignet, wenn die sichere Benutzung des Geräts aufgrund der körperlichen oder geistigen Verfassung oder wegen verminderter Wahrnehmung nicht möglich ist. Kindern sollte das Spielen mit dem Gerät verboten werden. Sie sind dahingehend zu beaufsichtigen.

Das Heizgerät nicht zu einer Wärmeregulierung, einer Programmsteuerung, einer Zeitschaltuhr oder einem anderen Gerät in Reihe schalten, mit dem die Wärmequelle automatisch geschaltet wird. Bei versehentlicher Blockierung oder Verstellung des Heizgeräts besteht Brandgefahr.

Möbel, Vorhänge und andere brennbare Stoffe dürfen sich nicht näher als 1 m vor dem Heizgerät befinden.

Bei einem Fehler den Netzstecker des Heizgeräts ziehen.

Netzstecker des Heizgeräts ziehen, wenn es längere Zeit nicht benötigt wird.

Zwar erfüllt das Heizgerät die Sicherheitsstandards, jedoch raten wir von einer Benutzung auf hochflorigen Fußbodenbelägen oder Teppichen ab. Das Gerät muss so aufgestellt werden, dass der Netzstecker zugänglich ist.

Wenn das Netzkabel beschädigt ist, muss es vom Hersteller oder einer Kundendienstvertretung oder einer vergleichbar qualifizierten Person ausgetauscht werden, um Gefahrenquellen auszuschalten.

Das Netzkabel muss von der Vorderseite des Heizgeräts fern gehalten werden.

WARNUNG: Um Überhitzungen zu vermeiden, darf das Heizgerät nicht zugedeckt werden.

Keine Gegenstände oder Kleidungsstücke auf das Heizgerät legen und die Luftzirkulation um das Heizgerät herum nicht behindern.



Am Heizgerät ist ein Warnsymbol angebracht. Dieses weist darauf hin, dass das Gerät nicht blockiert werden darf.

Allgemeines:

Das Heizgerät vorsichtig auspacken und die Verpackung für spätere Zwecke aufbewahren, z. B. für einen Umzug oder für die Rücksendung an den Händler. Die Fernbedienung und die Batterien sind separat im Karton verpackt.

Der elektrische Kamin ist mit einem Feuereffekt ausgestattet, der mit oder ohne Heizfunktion verwendet werden kann. Die gemütliche Atmosphäre können Sie somit das ganze Jahr über schaffen. Der Feuereffekt verbraucht bei ausgeschalteter Heizfunktion nur wenig elektrische Energie.

Das Heizgerät ist als Kamineinsatz für den Einbau in eine Kaminöffnung mit 407 oder 457 x 559 mm (Breite x Höhe) oder frei stehend vorgesehen. Beachten Sie dazu auch den Abschnitt "Installationsanweisungen".

Vor dem Anschluss des elektrischen Kamins immer prüfen, ob die Versorgungsspannung mit den Angaben auf dem Heizgerät übereinstimmen.

Bitte beachten: Bei Verwendung in Umgebungen mit wenigen Hintergrundgeräuschen sind Betriebsgeräusche aufgrund des Feuereffekts unter Umständen hörbar. Dies ist normal und kein Grund zur Beunruhigung.

Elektrischer Anschluss.

WARNUNG – DIESES GERÄT MUSS GEERDET WERDEN.

Dieses Heizgerät darf nur an eine Wechselstromquelle angeschlossen werden. Die auf dem Gerät angegebene Spannung muss mit der Versorgungsspannung übereinstimmen.

Lesen Sie vor dem Einschalten die Sicherheitshinweise und die Bedienungsanleitung durch.

DIE VORLIEGENDE ANLEITUNG BITTE ZU NACHSCHLAGEZWECKEN AUFBEWAHREN

Kunststoffteile des Opti-myst Elektrokamins nicht in eine Spülmaschine einräumen.

Ziehen Sie die Lade nur zum Auffüllen des Wassertanks oder für einen Lampenwechsel heraus, denn andernfalls verändern Sie dadurch versehentlich den Wasserstand und die Funktionsweise des Feuereffekts.

In diesem Gerät darf nur gefiltertes Leitungswasser verwendet werden.

Immer darauf achten, dass das Gerät auf ebenem Untergrund steht.

Falls das Gerät länger als 2 Wochen nicht benutzt wird, muss das Wasser aus dem Sumpf und Wassertank abgelassen und der Sumpf getrocknet werden.

Nach der Installation darf dieses Gerät nicht transportiert oder auf die Rückseite gelegt werden, ohne dass zuvor das Wasser aus dem Sumpf und Wassertank abgelassen wurde.

Einmal alle zwei Wochen müssen der Wassertank, Sumpf, der Sumpfdeckel, Tankdeckel und die Luftfilter gereinigt werden, ganz besonders in Regionen mit hartem Wasser.

Das Gerät darf auf keinen Fall in Betrieb gesetzt werden, wenn die Lampen nicht funktionieren.

Die Lampen sollten wie unter "Wartung" und "Lampenwechsel!" erläutert regelmäßig überprüft werden.

Installationsanleitung

Vor der Installation dieses Geräts sind folgende Punkte empfehlenswert:

1. Lassen Sie Ihren Kaminabzug von einem qualifizierten Kaminkehrer reinigen.
2. Blockieren Sie den Rauchabzug.

Dies ist nicht nur für einen effizienten Betrieb des Heizgeräts wichtig, sondern dadurch werden auch Wärmeverluste über den Kaminabzug verhindert.

Installation

Das Verpackungsmaterial von sämtlichen Teilen entfernen (eventuelle Aufkleber mit Warnhinweisen beachten).

Das Verpackungsmaterial für spätere Zwecke aufbewahren, z. B. für einen Umzug oder für die Rücksendung an den Händler.

Installation des Geräts

1. Kaminrost, Aschekasten usw. herausnehmen.
2. Der Aschekasten sollte für den späteren Gebrauch aufbewahrt werden.
3. Ascherückstände oder Staub etc. müssen aus dem Feuerraum beseitigt werden.

Auf der Rückseite des Geräts sind zwei verstellbare Standfüße zum Ausrichten vorgesehen, wobei der Boden der Kaminöffnung über die Grundlinie des Feuerraums angehoben wird.

Nun kann der elektrische Kamineinsatz in den Feuerraum eingebaut werden.

Das Gerät muss **ausgeschaltet sein**.

Den Kamin seitlich an der Umrandung festhalten und vorsichtig in Einbaulage manövrieren. Den Kamin an eine Steckdose anschließen, die mit 13 A/240 V versorgt wird. Das Netzkabel muss an der Vorderseite des Kamins rechts oder links in der Ecke auf möglichst kurzem Wege zur Steckdose austreten und darf nicht unter dem Kamineinsatz eingeklemmt werden, da es hierdurch beschädigt werden kann.

Vor dem Betätigen der manuellen Bedienelemente muss zuerst der Wassertank befüllt werden (siehe "Wartung" und "Wassertank auffüllen").

Manuelle Bedienelemente

Hinter dem aufklappbaren Essenvorsprung sind die manuellen Bedienelemente des Opti-myst angeordnet. Klappen Sie den Vorsprung nach oben, um die Bedienelemente betätigen zu können. (Anordnung der manuellen Bedienelemente, siehe Abb. 2)


Schalter "A": Regelt die Energieversorgung zum Heizgerät. Hinweis: Dieser Schalter muss auf Position "ON" (I) stehen, damit das Heizgerät mit oder ohne Wärmeabgabe betrieben werden kann.

Schalter "B": Regelt die Kaminfunktion.

Einmal drücken , um den Feuereffekt einzuschalten.

Dies wird durch Ausgabe eines Pieptons signalisiert. Zwar reagieren die Hauptleuchten sofort, allerdings dauert die Aktivierung des Feuereffekts weitere 30 Sekunden.

Durch erneutes  Drücken werden der Feuereffekt und die halbe Heizleistung eingeschaltet. Dies wird durch Ausgabe von zwei Pieptönen signalisiert.

Durch erneutes  Drücken werden der Feuereffekt und die volle Heizleistung eingeschaltet. Dies wird durch Ausgabe von drei Pieptönen signalisiert.

Durch nochmaliges Drücken wird wieder auf den Feuereffekt ohne Wärmeabgabe zurückgeschaltet.

Dies wird durch Ausgabe eines Pieptons signalisiert.

Drücken Sie auf , um den Kamin auf Standby zu schalten. Dies wird durch Ausgabe eines Pieptons signalisiert.

Drehregler "C": Stellt die Stärke des Feuereffekts ein.

Wird der Regler nach rechts gedreht, wird der Feuereffekt stärker und nach links wird die Flamme kleiner.

Drehregler "D": Dient zum Einstellen des elektronischen Thermostats.

Durch Drehen des Reglers nach rechts wird eine niedrigere Temperatur und nach links eine höhere Temperatur am Thermostat eingestellt.

LED "E": Wenn diese LED leuchtet, ist der Wassertank leer.

Dies wird durch zwei Pieptöne angezeigt.

Wenn der Wassertank leer ist, gehen die Hauptleuchten aus. Lesen Sie dazu die Anweisungen unter "Wartung", "Wassertank auffüllen". Im Anschluss daran leuchten die Hauptleuchten zwar wieder, jedoch dauert es weitere 30 Sekunden, bis die Flammen wieder lodern.

Elektronischer Thermostat

Mit dem Thermostat wird die Wärmeabgabe abhängig von der Zimmertemperatur geregelt. Auf diese Weise wird sicher gestellt, dass das Heizgerät keine Wärme produziert, wenn das Zimmer warm ist.

Zum Einstellen der gewünschten Temperatur drehen Sie den Thermostatregler "D" (siehe Abb. 2) nach links, bis die gewünschte Temperatur erreicht ist. Um ein kaltes Zimmer rasch aufzuheizen, drehen Sie den Thermostatregler "D" (siehe Abb. 2) bis zum Anschlag auf. Wenn das Zimmer die gewünschte Temperatur erreicht hat, drehen Sie den Thermostatregler "D" (siehe Abb. 2) nach rechts, bis die gewünschte Heizstufe eingestellt ist.

Das Heizgerät ist nun auf automatische Temperaturregelung mit diesem Sollwert eingestellt.

Betrieb über die Fernbedienung

Am Bedienfeld muss Schalter A (siehe Abb. 2) auf Position "ON" (I) stehen, damit das Gerät über die Fernbedienung gesteuert werden kann. Auf der Fernbedienung befinden sich 3 Tasten. (Siehe Abb. 7)

Zum korrekten Betrieb muss die Fernbedienung auf die Vorderseite des Gluteffekts gerichtet werden.

Die Fernbedienung besitzt folgende Funktionen:

Einmal drücken, um nur den Feuereffekt (ohne Wärmeabgabe) einzuschalten.

Dies wird durch Ausgabe eines Pieptons signalisiert.

Einmal drücken, um die halbe Heizleistung und den Feuereffekt einzuschalten.

Dies wird durch Ausgabe von zwei Pieptönen signalisiert.



Erneut drücken, um die volle Heizleistung und den Feuereffekt einzuschalten.

Dies wird durch Ausgabe von drei Pieptönen signalisiert.



Standby

Dies wird durch Ausgabe eines Pieptons signalisiert.

Batterie

1. Den Batteriedeckel auf der Rückseite der Fernbedienung abnehmen. (Siehe Abb. 7)
2. Die AAA Batterien in die Fernbedienung einsetzen.
3. Den Batteriedeckel wieder anbringen.

Entsorgung ausgelaufener Batterien

Batterien nicht im Hausmüll entsorgen, sondern bei einer vorschriftsmäßigen Sammelstelle abgeben.

Batterien können auslaufen, wenn sie mit anderen Batterietypen gemischt, falsch herum eingesetzt, nicht alle Batterien gleichzeitig ausgewechselt, sie ins Feuer geworfen werden, oder wenn versucht wird, eine nicht aufladbare Batterie aufzuladen.

Sicherheitsabschaltung

Um einen Defekt durch Überhitzung zu vermeiden, ist das Heizgebläse des Geräts mit einer Sicherheitsabschaltung ausgestattet. Der Fall kann eintreten, wenn der Wärmeauslass auf bestimmte Weise eingeschränkt oder der Kaminabzug nicht nachhaltig blockiert wurde. Falls die Sicherheitsabschaltung einsetzt, ziehen Sie den Netzstecker des Heizgeräts aus der Steckdose, und warten Sie 10 Minuten, bevor Sie das Gerät wieder anschließen. Vor dem erneuten Einschalten des Heizgeräts sollten Blockaden vor dem Wärmeauslass des Geräts beseitigt werden. Anschließend kann der normale Betrieb wieder fortgesetzt werden.

Tipps für die Gerätenutzung

1. Ziehen Sie die Lade nur zum Auffüllen des Wassertanks oder für einen Lampenwechsel heraus. Andernfalls kann sich dadurch zu viel Wasser im Sumpf sammeln und die Flammen des Feuereffekts werden kleiner. In diesem Fall müssen Sie das Wasser aus dem Sumpf ablassen, wie unter "Wartung" in dieser Anleitung erläutert wird.
2. Bei kleinster Flammeneinstellung verbraucht das Gerät etwa 40 ml Wasser pro Stunde und lässt sich dadurch 3 mal länger als bei maximaler Flammenhöhe betreiben.
3. Wenn sich Wasser im Tank oder Sumpf befindet, darf der Kamin nicht gekippt oder versetzt werden.
4. Der Kamin muss auf einem ebenem Untergrund stehen.
5. Für einen realistischen Feuereffekt kann der Flammenregler "C" (Abb. 2) höher oder niedriger eingestellt werden.
6. Die Flammen sind manchmal realistischer, wenn der Flammenregler kleiner eingestellt wird.
7. Warten Sie einen Moment ab, bis der Flammengenerator auf die veränderte Flammenreglereinstellung reagiert hat.

Wartung

WARNUNG: VOR WARTUNGSARBEITEN IMMER DEN NETZSTECKER ZIEHEN

Lampenwechsel

Wenn der Rauch größtenteils grau oder farblos erscheint, sind unter Umständen eine oder mehrere Lampen defekt. Die Lampen können Sie folgendermaßen auf Funktion prüfen.

1. Lassen Sie den Feuereffekt eingeschaltet und ziehen Sie die Lade am Griff komplett heraus. (Siehe Abb. 3)
2. Sehen Sie sich die Lampen aus der Entfernung vorne am Kamin an, und stellen Sie fest, welche Lampe gewechselt werden muss.
3. Stellen Sie Schalter "A" auf Position "OFF" und ziehen Sie den Netzstecker des Kamins aus der Steckdose.
4. Lassen Sie das Gerät 20 Minuten lang ausgeschaltet, damit sich die Lampen vor dem Ausbau abkühlen können.
5. Heben Sie den Wassertank nach oben heraus und legen Sie ihn in ein Waschbecken.
6. Bauen Sie den Sumpf aus, wie im Abschnitt "Reinigung" erläutert.
7. Ziehen Sie die defekte Lampe mit den Kontaktstiften vorsichtig nach oben aus dem Lampensockel heraus (siehe Abb. 4 und 5). Bauen Sie als Ersatzlampe eine Dimplex Opti-myst Farblampe für 12 V, 50 W, Sockel Gu5.3 mit 8° Abstrahlwinkel ein. (Bestellung über www.dimplex.co.uk unter "After Sales Service". Dort wird auch die Bestellung der Lampen erläutert.)
8. Führen Sie die beiden Kontaktstifte der neuen Lampe in die beiden Öffnungen des Lampensockels ein und schieben Sie sie bis zum Anschlag hinein. (Siehe Abb. 4 und 5.)
9. Setzen Sie den Sumpf und Wassertank wieder ein, und schließen Sie die Lade wieder.
10. Schalten Sie das Gerät ein.

Wassertank auffüllen

Bei der ersten Inbetriebnahme des Geräts oder beim Aufleuchten der Warnleuchte für den niedrigen Wasserstand gibt das Gerät 2 Pieptöne aus, sobald kein Wasser mehr im Tank ist und Wasser nachgefüllt werden muss. Gehen Sie wie folgt vor.

1. Schalter "A" auf **(0)** stellen (siehe Abb. 2).
2. Die Lade am Griff sachte bis zum Anschlag herausziehen. (Siehe Abb. 3)
3. Den Wassertank nach oben aus dem Gerät herausheben.
4. Den Wassertank in ein Waschbecken legen und den Tankdeckel nach links abschrauben. (Siehe Abb. 6)
5. Zum Nachfüllen des Tanks **nur gefiltertes Leitungswasser** verwenden. Dadurch verlängert sich die Lebensdauer des Rauch- und Flammengenerators. Zum Filtern des Wassers sollte ein handelsüblicher Wasserfilter benutzt werden, der regelmäßig auszutauschen ist.
6. Den Deckel wieder festschrauben, **aber nicht überdrehen**.
7. Den Tank wieder in den Sumpf einsetzen. Der Tankdeckel muss dabei nach unten und die flache Tankseite nach außen zeigen.
8. Die Lade sachte bis zum Anschlag hineinschieben.
9. Schalter "A" auf "ON" (I) stellen (siehe Abb. 2).
10. Schalter "B" einmal drücken, um den Feuereffekt einzuschalten. (Siehe Abschnitt "manuelle Bedienelemente" sowie Abb. 2)

Reinigung

WARNUNG - VOR DEM REINIGEN DES HEIZGERÄTS IMMER ZUERST DEN NETZSTECKER ZIEHEN.

Bei folgenden Teilen empfehlen wir eine regelmäßige Reinigung alle 2 Wochen, insbesondere in Regionen mit hartem Wasser:

Wassertank, Sumpf und Dichtung, Sumpfdeckel, Tankdeckel und Dichtung, Luftfilter.

Zum Reinigen allgemein immer ein weiches, sauberes Staubtuch benutzen, auf keinen Fall Scheuermittel verwenden. Um angesammelten Staub oder Flusen zu entfernen, kann gelegentlich ein Staubsauger mit weichem Bürstenaufsatz zum Reinigen des Auslassgitters des Lüftergebläses verwendet werden.

Wassertank

1. Den Tank - wie zuvor erläutert - ausbauen, in ein Waschbecken legen und das Wasser ablassen.
2. Mit der beigefügten Bürste die Innenflächen des Deckels sanft abbürsten. Dabei besonders den Gummiring in der Außennut und die Gummidichtung in der Mitte sauber bürsten.
3. Eine sparsame Menge Spülmittel in den Tank füllen, den Deckel festschrauben und gut schütteln. Das Spülmittel komplett wieder ausspülen, bis davon keine Spuren im Abwasser mehr zu sehen sind.
4. Ausschließlich mit gefiltertem Leitungswasser auffüllen, den Deckel wieder anbringen und nicht überdrehen.

Sumpf

1. Schalter "A" auf "OFF" (0) stellen.
2. Die Lade sachte bis zum Anschlag herausziehen. (Siehe Abb. 3)
3. Den Wassertank nach oben herausheben.
4. Den Stecker aus der Anschlussbuchse auf der linken Seite des Sumpfs ziehen. Dazu zuerst die beiden Sicherungsschrauben lösen und anschließend den Stecker vorsichtig herausziehen. (Siehe Abb. 8)
5. Die Sicherungskralen unten am Sumpf um 90° drehen. Der Sumpf kann nun komplett aus der Einbaulage herausgehoben werden. (Siehe Abb. 9)
6. Den Sumpf vorsichtig und möglichst waagrecht herausheben, damit kein Wasser verschüttet wird. Das gesamte Bauteil in ein Waschbecken stellen. (Siehe Abb. 10)
7. Die Sicherungskralen oben am Sumpf um 90° drehen und den Sumpfdeckel abnehmen. (Siehe Abb. 11)
8. Wie in der Abbildung zu sehen vorsichtig seitlich kippen, damit die Flüssigkeit aus dem Sumpf ablaufen kann. (Siehe Abb. 12)
9. Etwas Spülmittel in den Sumpf füllen und mit der beigefügten Bürste sämtliche Flächen reinigen, auch die Metallscheiben und die Gummidichtung, die in der Nut auf der Oberseite verlegt ist. **Die Gummidichtungen nicht ausbauen.** (Siehe Abb. 13 und 14.)
10. Nach dem Reinigen den Sumpf mit klarem Wasser gründlich ausspülen.
11. Die Auslassfläche am Sumpfdeckel mit der Bürste säubern und mit Wasser gründlich spülen. (Siehe Abb. 15 & 16)
12. Beim Zusammenbau die obigen Schritte in umgekehrter Reihenfolge befolgen.

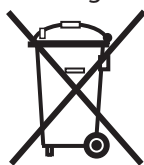
Luftfilter

1. Schalter "A" auf "OFF" (0) stellen (siehe Abb. 2).
2. Die Lade sachte bis zum Anschlag herausziehen. (Siehe Abb. 3)
3. Den Tank herausnehmen und mit dem Deckel nach oben in ein Waschbecken stellen.
4. Die Kunststoffhalterung des Luftfilters vorsichtig nach oben herausziehen. (Siehe Abb. 17)
5. Den Filter komplett aus der Kunststoffhalterung herausnehmen.
6. Vorsichtig mit Wasser im Waschbecken ausspülen und vor dem Einsetzen mit einem Handtuch abtrocknen.
7. Den Filter komplett wieder einsetzen und darauf achten, dass der grobe schwarze Filter Kontakt mit der Kunststoffhalterung hat. (Siehe Abb. 18)
8. Den Tank wieder einsetzen.
9. Die Lade wieder ganz schließen.
10. Schalter "A" auf "ON" (I) stellen (siehe Abb. 2).

Wiederverwertung

Recycling-Regelung für Elektroprodukte, die innerhalb der europäischen Gemeinschaft verkauft werden.

Elektrogeräte dürfen am Ende ihrer Nutzungsdauer



nicht im regulären Haushaltsmüll entsorgt werden. Sie müssen einer entsprechenden Recycling-Sammelstelle zugeführt werden.

Entsprechende Hinweise zu Annahmestellen erhalten Sie bei Ihrer Gemeinde oder Ihrem Fachhändler.

Kundenservice

Für dieses Produkt gilt eine Garantie von einem Jahr ab Kaufdatum. Innerhalb dieses Zeitraums verpflichten wir uns, Reparaturen oder einen Gerätetausch kostenlos durchzuführen (ausgenommen Lampen und abhängig von der Verfügbarkeit), sofern gewährleistet ist, dass die vorliegenden Anweisungen bei der Installation und Bedienung beachtet wurden. Falls Sie unseren Kundenservice in Anspruch nehmen möchten oder Ersatzteile benötigen, wenden Sie sich bitte an den Fachhändler, bei dem das Gerät gekauft wurde, oder rufen Sie unter der Servicenummer an, die für Ihr Land auf der Garantiekarte angegeben ist. Fehlerhafte Geräte sollten Sie aber nicht direkt an uns zurückschicken, da es hierbei zu Verlusten, Beschädigungen oder Verzögerungen kommen und Ihr Problem nicht zufriedenstellend gelöst werden kann. Bewahren Sie Ihre Quittung bitte als Kaufnachweis auf.

Fehlerdiagnose		
Symptom	Ursache	Abhilfe
Der Feuereffekt lässt sich nicht einschalten.	<p>Netzstecker ist nicht angeschlossen.</p> <p>Schalter A steht auf „ON“ (I), aber der Schalter B wurde nicht gedrückt. (Siehe Abb. 2) Wenig Wasser</p> <p>Niederspannungsstecker nicht richtig angeschlossen. (Siehe Abb. 8)</p>	<p>Prüfen, ob der Netzstecker richtig an die Steckdose angeschlossen ist.</p> <p>Schalter B einmal betätigen, um den Feuereffekt einzuschalten (siehe Abb. 2). Die Warnlampe für „niedrigen Wasserstand“ „E“ unter der Esse kontrollieren. (Siehe Abb. 2) Leuchtet sie auf, den Wassertank auffüllen.</p> <p>Kontrollieren, ob der Stecker korrekt angeschlossen ist (siehe Abb. 8).</p>
Der Feuereffekt arbeitet zu niedrig.	<p>Der Drehregler für den Feuereffekt ist sehr niedrig eingestellt. (Siehe Abb. 2)</p> <p>Das Wasser im Sumpf steht unter Umständen zu hoch, weil die Lade häufiger geöffnet und geschlossen wurde, der Wassertank mehrmals herausgenommen oder der Kamin versetzt wurde.</p> <p>Unter Umständen ist die Metallscheibe am Boden des Sumpfs verschmutzt (siehe Abb. 13).</p>	<p>Den Drehregler „C“ langsam nach rechts drehen, um die Flammen höher zu stellen. (Siehe Abb. 2)</p> <p>Ist der Wasserstand im Sumpf höher als 40 mm, sollte er ausgebaut und in einem Waschbecken entleert werden.</p> <p>Die Metallscheiben mit der beigefügten weichen Bürste reinigen. (Siehe Abb. 13). Die schrittweise gegliederten Anweisungen finden Sie im Abschnitt „Wartung“.</p>
Unangenehmer Geruch während des Betriebs.	<p>Verschmutztes oder abgestandenes Wasser.</p> <p>Ungefiltertes Leitungswasser benutzt.</p>	<p>Das Gerät wie im Wartungsabschnitt erläutert reinigen.</p> <p>Nur gefiltertes Leitungswasser benutzen.</p>
Der Feuereffekt stößt zu viel Rauch aus.	Der Feuereffekt ist zu stark eingestellt.	Den Drehregler „C“ für den Feuereffekt nach links auf Minimalstufe zurückdrehen und langsam jeweils ¼ nach rechts aufdrehen. Etwas warten, bis der Flammengenerator reagieren kann, bevor Sie die Flammen höher stellen. (Siehe Abb. 2)
Die Hauptlampen funktionieren nicht, und es sind weder Flammen noch Rauch zu sehen.	<p>LED „E“ (Abb. 2) leuchtet.</p> <p>LED „E“ (Abb. 2) leuchtet nicht.</p>	<p>Befolgen Sie die Anweisungen unter Wartung, „Wassertank auffüllen“.</p> <p>Prüfen Sie, ob der Netzstecker richtig an die Steckdose angeschlossen ist. Schalter „A“ (Abb. 2) steht auf „ON“ (I). Drücken Sie Schalter „B“ (Abb. 2), bis ein einzelner Signalton für den Feuereffekt zu hören ist.</p>

Belangrijke veiligheidsinformatie:

Bij gebruik van elektrische apparaten moeten altijd bepaalde voorzorgsmaatregelen in acht worden genomen om het risico van brand, elektrische schok en letsel te verminderen. Dit betekent o.a.:

Raadpleeg de leverancier als de haard is beschadigd voordat u deze installeert en gebruikt.

Niet buitenshuis gebruiken.

Niet gebruiken in de onmiddellijke nabijheid van een bad, douche of zwembad.

Plaats de haard nooit onmiddellijk onder een wandcontactdoos of een aansluitdoos.

De haard mag niet zonder hulp of toezicht worden gebruikt door kinderen of andere personen met lichamelijke, zintuiglijke of geestelijke beperkingen die tot onveilig gebruik kunnen leiden. Op kinderen moet toezicht worden gehouden om te voorkomen dat ze met de haard spelen.

Gebruik deze haard niet terwijl deze seriegeschakeld is met een thermische beveiliging, een programmaregelaar, een tijdschakelaar of een ander apparaat dat de haard automatisch inschakelt, aangezien er kans op brand bestaat wanneer de haard per ongeluk wordt afgedekt of verplaatst.

Zorg ervoor dat meubilair, gordijnen of ander brandbaar materiaal zich minstens 1 meter uit de buurt van de haard bevinden.

In geval van een storing moet u de stekker van de haard uit het stopcontact halen.

Haal de stekker uit het stopcontact als de haard gedurende lange tijd niet gebruikt zal worden.

Hoewel deze haard voldoet aan de veiligheidsnormen, is het niet raadzaam om de haard op hoogpolige vloerbedekking of op een langharig tapijt te gebruiken.

De haard moet zodanig worden geïnstalleerd dat de stekker bereikbaar blijft.

Als het netsnoer beschadigd is, moet dit door de fabrikant of een servicebedrijf of een gelijkwaardig bevoegd persoon worden vervangen om risico te vermijden.

Houd het netsnoer uit de buurt van de voorkant van de haard.

WAARSCHUWING: Dek de haard nooit af om oververhitting te voorkomen. Plaats geen voorwerpen of kledingstukken op de haard en zorg ervoor dat de luchtcirculatie rond de haard niet wordt geblokkeerd.



Deze haard is voorzien van een waarschuwingssymbool dat aangeeft dat de ventilatieopeningen van de haard niet afgedekt mogen worden.

Algemeen

Pak de haard voorzichtig uit en bewaar de verpakking voor eventueel toekomstig gebruik ingeval u gaat verhuizen of de haard naar de leverancier wilt terugsturen. De afstandsbediening en batterijen zijn apart in de doos verpakt.

De sfeerhaard beschikt over een vlameffect, dat met of zonder warmte-afgifte gebruikt kan worden, zodat u in alle jaargetijden van het gezellige vlammenspel kunt genieten. Het stroomverbruik van het vlameffect zonder warmte-afgifte is gering.

De haard is ontworpen voor inbouw in een schouwopening van 407 mm (16 inch) of een 457 mm (18 inch) breed en 559 mm (22 inch) hoge schouwopening of vrijstaand -, zie ook "Installatievoorschriften".

Controleer voordat u de haard aansluit of de voedingsspanning overeenkomt met de op de haard vermelde spanning.

Let op: als u de haard in een omgeving gebruikt met weinig achtergrondgeluid, dan kunt u een geluid horen wanneer de haard met het vlameffect wordt aangezet. Dit is normaal en u hoeft zich hierover geen zorgen te maken.

Elektrische aansluiting.

WAARSCHUWING – DIT APPARAAT MOET WORDEN GEAARD.

Deze haard mag alleen met wisselstroom worden gebruikt en de op de haard aangegeven spanning moet overeenkomen met de voedingsspanning.

Lees alle veiligheidsvoorschriften en gebruiksvoorschriften voordat u de haard aanzet.

BEWAAR DEZE GEBRUIKERSHANDLEIDING VOOR TOEKOMSTIGE NASLAGDOELEINDEN

Plaats plastic Opti-myst-onderdelen niet in een vaatwasser.

Schuif alleen de lade eruit als het waterreservoir gevuld dient te worden, of een lampje moet worden vervangen, anders zult u per ongeluk het waterniveau veranderen en daarmee de werking van het vlameffect.

Gebruik uitsluitend gefilterd leidingwater.

Zorg er altijd voor dat de haard op een egale vloer staat. Als u van plan bent om de haard meer dan twee weken niet te gebruiken, tap dan het water van de opvangbak en het waterreservoir af en droog de opvangbak.

Na het installeren mag de haard niet worden verplaatst of op zijn rug worden gelegd zonder eerst het water in de opvangbak en waterreservoir af te tappen.

Het waterreservoir, de opvangbak, de kap van de opvangbak, de tankdop en de luchtfilters moeten één keer in de twee weken worden gereinigd, in het bijzonder in gebieden met hard water.

De haard mag niet worden gebruikt als de lampen niet werken.

De lampen dienen regelmatig te worden geïnspecteerd, zoals beschreven onder 'Onderhoud' en 'Lampen vervangen'.

Installatievoorschriften

Voor het installeren van de haard raden wij u aan om;

1. Uw schoorsteen door een professionele schoorsteenveger te laten vegen.
2. Het rookkanaal af te sluiten.

Deze procedure is belangrijk voor een doeltreffende werking van de haard en vermindert ook warmteverlies via de schoorsteen.

Installatie.

Zorg ervoor dat alle verpakking is verwijderd (lees de waarschuwingslabels aandachtig).

Bewaar de verpakking voor eventueel toekomstig gebruik voor het geval u gaat verhuizen of de haard naar de leverancier wilt terugsturen.

Installatie van de haard;

1. Verwijder het haardrooster, de aslade, etc.
2. Het rooster van het vuurbed dient te worden opgeborgen voor eventueel toekomstig gebruik.
3. Reinig de haard van asresten, stof, etc.

Aan de achterzijde van de haard bevinden zich twee verstelbare steunen waarmee u de hoogte van de haard kunt verstellen als de schouwopening zich hoger bevindt dan de haard.

U kunt de elektrische haard nu in uw open haard installeren.

Zorg dat de haard **UIT staat**.

Houd de haard aan de zijkanten vast en manoeuvreer deze voorzichtig op zijn plaats. Steek de stekker van de haard in een stopcontact van 13 ampère/240 Volt. Zorg dat de stroomkabel er aan de voorkant van de haard uit komt, in de rechter- of linkerhoek in de buurt van het stopcontact en niet vast komt te zitten onder de haard zodat de kabel kan worden beschadigd.

Vul eerst het waterreservoir voordat u de handbediening gebruikt (Zie "Onderhoud", "Waterreservoir vullen").

Handbediening.

De bedieningsknoppen van de Opti-myst, bevinden zich onder het scharnierdeksel. Klap het scharnierdeksel omhoog om de bedieningsknoppen te bereiken. (Zie Afb. 2 voor een schema van de handbediening)

Schakelaar 'A' - regelt de stroomtoevoer naar de haard. Opmerking: Deze schakelaar moet 'AAN' staan (I) om de haard met of zonder warmte-afgifte aan te zetten.

Schakelaar 'B':- Regelt de werking van de haard.

Druk  1 keer om het vlameffect aan te zetten. Dit wordt aangegeven door één pieptoon.

Hoewel de hoofdlampen direct werken, duurt het 30 seconden voordat het vlameffect start.

Druk  opnieuw voor het vlameffect en halve kracht. Dit wordt aangegeven door twee pieptonen.

Druk  opnieuw voor het vlameffect en volle kracht. Dit wordt aangegeven door drie pieptonen.

Druk  opnieuw om alleen naar het vlameffect terug te keren. Dit wordt aangegeven door één pieptoon.

Druk  om de haard in de stand-by stand te zetten. Dit wordt aangegeven door één pieptoon.

Regelknop 'C': - verhoogt de intensiteit van het vlameffect. Door de regelknop naar rechts te draaien verhoogt u het vlameffect, door de regelknop naar links te draaien verlaagt u het vlameffect.

Regelknop 'D':- regelt de instelling van de elektronische thermostaat.

Door de regelknop naar rechts te draaien verlaagt u de temperatuurinstelling, door deze naar links te draaien, verhoogt u de temperatuurinstelling.

LED 'E':- als dit lampje brandt dan is het waterreservoir leeg. U hoort twee pieptonen.

Als het waterreservoir leeg is, gaan de hoofdlampen uit. Zie instructies onder 'Onderhoud', 'Waterreservoir vullen'.

Als deze procedure is voltooid, zullen de hoofdlampen branden, maar duurt het 30 seconden voordat de vlammen terugkeren.

Elektronische thermostaat

De thermostaat regelt de warmte-afgifte op basis van de kamertemperatuur. Hierdoor geeft de haard geen onnodige warmte af als de kamer warm is.

Voor het instellen van de gewenste temperatuur draait u de regelknop 'D' van de thermostaat (Zie Afb. 2) naar links totdat de gewenste temperatuur is bereikt. Zet de regelknop 'D' van de thermostaat (zie Afb. 2) in de hoogste stand om een koude kamer snel op te warmen. Als de kamer de gewenste temperatuur heeft bereikt, draait u de regelknop 'D' van de thermostaat (Zie Afb. 2) naar rechts tot de gewenste warmte-instelling is bereikt.

De haard werkt nu automatisch op deze temperatuur.



Afstandsbediening gebruiken

Op het bedieningspaneel dient schakelaar A (zie Afb. 2) op de 'AAN' (I)-stand te staan om de afstandsbediening te kunnen gebruiken. De afstandsbediening is voorzien van drie toetsen. (Zie Afb. 7)

Voor een goede werking moet u de afstandsbediening op het vlameffect richten.

De afstandsbedieningfuncties zijn als volgt:

 **Druk één keer om alleen het vlameffect aan te zetten.**
Dit wordt aangegeven door één pieptoon.

 **Druk één keer om halve kracht en het vlameffect aan te zetten.**
 **Dit wordt aangegeven door twee pieptonen.**
Druk opnieuw voor volle kracht en vlameffect.
Dit wordt aangegeven door drie pieptonen.

 **Stand-by**
Dit wordt aangegeven door één pieptoon.

Informatie over batterijen.

1. Schuif het batterijklepje op de achterkant van de afstandsbediening open. (Zie Afb. 7)
2. Plaats AAA-batterijen in de afstandsbediening.
3. Schuif het batterijklepje dicht.

Gooi lekkende batterijen weg.

Voer gebruikte batterijen op een milieuverantwoorde manier overeenkomstig de regionale en plaatselijke voorschriften af.

Er kan elektrolyt uit de batterijen lekken als u verschillende soorten batterijen door elkaar gebruikt, als u de batterijen niet goed inlegt, als niet alle batterijen tegelijkertijd worden vervangen, als u ze in open vuur verbrandt of als u een batterij probeert op te laden die niet oplaadbaar is.

Thermische beveiliging

Er is een afslagmechanisme voor thermische beveiliging in de ventilatorkachel ingebouwd om schade door oververhitting te voorkomen. Dit kan gebeuren als de warmteuitlaat op één of andere wijze is geblokkeerd, of als het rookkanaal niet voldoende is afgesloten. Als het afslagmechanisme in werking treedt, dan dient u de stekker van de haard uit het stopcontact te halen en ongeveer 10 minuten te wachten, voordat u deze er weer in steekt. Voordat u de haard weer aanzet, dient u de obstakels die de warmte-uitlaat kunnen blokkeren te verwijderen en de haard hierna opnieuw in werking te stellen.

Tips voor het gebruik van uw haard.

1. Trek alleen de lade eruit als het waterreservoir moet worden bijgevuld of om een lamp te vervangen omdat dit anders kan leiden tot overmatig water in de opvangbak en een verminderd vlameffect. Als dit gebeurt, leegt u het water uit de opvangbak zoals staat aangegeven onder 'Onderhoud'.
2. Als de vlaminstelling op minimum staat, verbruikt de haard ongeveer 40 ml water per uur en blijft drie keer langer branden dan bij een maximum vlaminstelling.
3. Kantel of verplaats de haard niet als er water in het waterreservoir of in de opvangbak aanwezig is.
4. Zorg er altijd voor dat de haard op een egale vloer staat.
5. De vlamregelknop 'C' Afb. 2 kan hoger of lager worden gedraaid voor een meer realistisch effect.
6. Soms zien de vlammen er natuurlijker uit als de vlamregelknop omlaag is gedraaid.
7. Geef het vlammechanisme de tijd om op de veranderingen te reageren die u met de vlamregelknop maakt.

Onderhoud

WAARSCHUWING: HAAL ALTIJD DE STEKKER UIT HET STOPCONTACT VOORDAT U ONDERHOUD UITVOERT

Lampen vervangen.

Als een grote hoeveelheid van de rook grijs of kleurloos lijkt, kunnen er één of meer lampen stuk zijn.

U kunt kapotte lampen als volgt controleren.

1. Laat het vlameffect aan en trek de lade er voorzichtig helemaal uit aan het treklijpje. (Zie Afb. 3)
2. Bekijk de lampen van een afstand voor de haard en beoordeel welke lampen moeten worden vervangen.
3. Zet schakelaar 'A' in de 'UIT'-stand en haal de stekker van de haard uit het stopcontact.
4. Laat de haard 20 minuten staan om de lampen te laten afkoelen voordat u ze eruit haalt.
5. Verwijder het waterreservoir door dit omhoog te tillen en in een gootsteen te plaatsen.
6. Verwijder de opvangbak zoals beschreven in het hoofdstuk Reinigen.
7. Verwijder de kapotte lamp door deze voorzichtig verticaal omhoog te tillen en uit de contactpennen van de lamphouder te trekken, (Zie Afb. 4 en 5). Vervang door een Dimplex Opti-myst, 12V, 50W, Gu5.3 basis, 8° stralingshoek, gekleurde lamp. (Gekocht via www.dimplex.co.uk onder het gedeelte 'Klantenservice', gegevens over het kopen van de lampen staan hierin vermeld.)
8. Plaats de twee contactpennen van de nieuwe lamp in de twee gaten van de lamphouder. Druk stevig op zijn plaats. (Zie Afb. 4 en 5).
9. Vervang de opvangbak en het waterreservoir en sluit de lade voorzichtig.
10. Zet aan.

Het waterreservoir vullen.

Als u de haard voor de eerste keer gebruikt, of als de waarschuwinglampjes voor het waterniveau gaan branden, dan hoort u twee hoorbare 'pieptonen' als het water op is en het reservoir moet worden bijgevuld. Volg dan deze stappen.

1. Zet schakelaar 'A' op **(0)** (Zie Afb. 2)
2. Trek de lade er voorzichtig zover mogelijk uit met behulp van het treklijpje. (Zie Afb. 3)
3. Verwijder het waterreservoir door dit omhoog en eruit te tillen.
4. Plaats het waterreservoir in een gootsteen en draai de dop naar links om het reservoir te openen. (Zie Afb. 6)
5. Vul het reservoir alleen **met gefilterd leidingwater**. Dit is nodig om de levensduur van het vlam- en rookmechanisme te verlengen. Het water dient te worden gefilterd via een conventionele leidingwaterfilter en het filter moet regelmatig worden vervangen.
6. Schroef de dop er weer op, **draai deze niet te vast**.
7. Plaats het reservoir weer terug bij de opvangbak, waarbij de dop van het reservoir naar onderen is gericht en de platte kant van het reservoir naar buiten wijst.
8. Duw de lade zover mogelijk naar achteren.
9. Zet schakelaar 'A' op de 'AAN' (I)-stand (Zie Afb. 2)
10. Druk 1 keer op schakelaar 'B' om het vlameffect aan te zetten. (Zie hoofdstuk Handbediening en Afb. 2)

Reiniging.

WAARSCHUWING - HAAL ALTIJD DE STEKKER UIT HET STOPCONTACT VOORDAT U DE HAARD REINIGT.

We raden u aan om de volgende onderdelen 1 keer in de twee weken schoon te maken, vooral in gebieden met hard water:-

waterreservoir, opvangbak en afsluiter, kap van opvangbak, reservoirdop en afsluiter, luchtfilter.

Gebruik voor algemene reiniging een zachte schone stofdoek – nooit schurende reinigingsmiddelen gebruiken. Voor het verwijderen van eventueel opgehoopt stof of pluis kunt u af en toe met het zachte borstelhulpstuk van een stofzuiger het uitlaatrooster van de ventilatorkachel schoonmaken.

Waterreservoir

1. Verwijder het waterreservoir zoals eerder beschreven, plaats dit in een gootsteen en tap het water af.
2. Gebruik de meegeleverde borstel om de binnenzijden van de dop zachtjes te borstelen en let vooral op de rubberen ring in de buitenste groef en de middelste rubberafdichting.
3. Vul het reservoir met een klein beetje afwasmiddel, plaats de dop terug, schud goed en spoel totdat alle sporen van het wasmiddel zijn verdwenen.
4. Vul uitsluitend met gefilterd leidingwater, plaats de dop terug en draai deze niet te vast.

Opvangbak

1. Zet schakelaar 'A' in de 'UIT' (0)-stand
2. Trek de lade er voorzichtig zover mogelijk uit. (Zie Afb. 3)
3. Haal het waterreservoir eruit door dit omhoog te tillen.
4. Koppel de stekker los die zich links van de opvangbak bevindt, door de twee borgschroeven los te draaien en de stekker er voorzichtig uit te trekken. (Zie Afb. 8)
5. Maak de onderste vergrendellipjes van de opvangbak los door deze 90° te draaien, hierdoor kan de opvangbak volledig worden verwijderd. (Zie Afb. 9)
6. Til de opvangbak voorzichtig op en zorg dat u deze recht houdt zodat er geen water wordt gemorst. Plaats de opvangbak in de gootsteen. (Zie Afb. 10)
7. Maak de twee bovenste vergrendellipjes van de opvangbak los door deze 90° te draaien, en verwijder hierna de kap van de opvangbak. (Zie Afb. 11)
8. Kantel voorzichtig zoals afgebeeld, zodat de vloeistof uit de opvangbak wordt afgetapt. (Zie Afb. 12)
9. Vul de opvangbak met een kleine hoeveelheid afwasmiddel en gebruik de meegeleverde borstel om alle oppervlakken zachtjes te reinigen, inclusief de metalen schijfjes en de rubberafdichting die zich in het bovenste groefvlak bevindt. **Verwijder de rubberafdichtingen niet.** (Zie Afb. 13 en 14)
10. Spoel de opvangbak na het reinigen goed uit met schoon water.
11. Reinig het oppervlak van de uitlaat van de kap van de opvangbak met de borstel en spoel grondig met water. (Zie Afb. 15 en 16)
12. Voer de bovenstaande stappen in omgekeerde volgorde uit om te monteren.

Luchtfilter.

1. Zet schakelaar 'A' in de 'UIT' (0)-stand (Zie Afb. 2)
2. Trek de lade er voorzichtig zover mogelijk uit. (Zie Afb. 3)
3. Haal het reservoir eruit en plaats dit in een gootsteen met de dop omhoog.
4. Schuif de plastic luchtfilterhouder voorzichtig omhoog. (Zie Afb. 17)
5. Haal het filteraggregaat uit de plastic houder.
6. Spoel voorzichtig met water in de gootsteen en droog met een stoffen handdoek voordat u het filter terugplaatst.
7. Plaats het filteraggregaat terug en zorg ervoor dat het zwarte filter contact houdt met de plastic houder. (Zie Afb. 18)
8. Plaats het reservoir terug.
9. Sluit de lade volledig.
10. Zet schakelaar 'A' op de 'AAN' (I)-stand (Zie Afb. 2)

Recycling.

Voor elektrische producten die in de Europese Gemeenschap worden verkocht. Aan het einde van de gebruiksduur van een elektrisch product mag dit niet met het gewone huisvuil worden weggegooid. Maak gebruik van de bestaande recycling faciliteiten. Neem contact op met uw plaatselijke overheidsinstantie of de winkel waar u het apparaat hebt gekocht voor informatie omtrent recycling.



Klantenservice.

De garantie voor uw product is vanaf de aankoopdatum één jaar geldig. Binnen deze periode repareren of vervangen wij dit product zonder hiervoor kosten in rekening te brengen (met uitzondering van de gloeilampen en afhankelijk van de beschikbaarheid), op voorwaarde dat de haard overeenkomstig deze voorschriften werd geïnstalleerd en gebruikt. Als u service nodig hebt, of als u reserveonderdelen wilt aanschaffen, neem dan contact op met de winkel waar u de haard hebt gekocht, of bel het servicenummer voor uw land dat op het garantiebewijs staat. Stuur een defect product niet onmiddellijk naar ons terug. Dit kan verlies of beschadiging ervan veroorzaken, of tot vertraging leiden bij het verlenen van een bevredigende service. Bewaar uw aankoopbon als bewijs van aankoop.

Verhelpen van storingen

Symptoom	Oorzaak	Correctieve maatregel
Het vlameffect start niet.	<p>De netstekker zit niet in het stopcontact.</p> <p>Schakelaar A staat in de 'AAN' (I)-stand, maar schakelaar B is niet ingedrukt. (Zie Afb. 2) Laag waterniveau.</p> <p>Laagspanningsstekker niet goed aangesloten. (Zie Afb. 8)</p>	<p>Controleer of de stekker goed in de wandcontactdoos zit.</p> <p>Druk één keer op schakelaar B voor vlameffect. (Zie Afb. 2) Controleer het waarschuwinglampje 'E', 'Laag waterniveau', onder de kap. (Zie Afb. 2). Waterreservoir vullen indien 'AAN'.</p> <p>Controleer of de stekker goed in het stopcontact zit. (Zie Afb. 8)</p>
Het vlameffect is te laag.	<p>De regelknop voor het vlameffect is te laag ingesteld. (Zie Afb. 2) Het water in de opvangbak kan te hoog zijn doordat de lade een aantal keren is geopend en gesloten, het waterreservoir een aantal keren werd verwijderd of doordat de haard werd verplaatst.</p> <p>Het metalen schijfje aan de onderkant van de opvangbak kan vuil zijn (Zie Afb. 13)</p>	<p>Verhoog de intensiteit van de vlam door de regelknop C langzaam naar rechts te draaien. (Zie Afb. 2) Indien het waterniveau in de opvangbak hoger is dan 40 mm, dan dient de opvangbak te worden verwijderd en in de gootsteen te worden gelegegd.</p> <p>Reinig de metalen schijfjes met de meegeleverde zachte borstel. (Zie Afb. 13) Zie 'Onderhoud' voor een stap-voor-stapprocedure.</p>
Onaangename geur als de haard wordt gebruikt.	<p>Vuil of brak water.</p> <p>Het gebruik van ongefilterd leidingwater.</p>	<p>Reinig de haard zoals beschreven onder onderhoud.</p> <p>Gebruik uitsluitend gefilterd leidingwater.</p>
Het vlameffect geeft te veel rook af.	Het vlameffect is te hoog ingesteld.	Draai de regelknop voor het vlameffect C naar links totdat deze op minimum staat en draai dan langzaam naar rechts met ongeveer 1/4 slag per keer. Geef het vlammechanisme tijd om zich aan te passen, voordat u verder verhoogt. (Zie Afb. 2)
De hoofdlampen werken niet en er zijn geen vlammen of rook.	<p>LED 'E' Afb. 2 brandt.</p> <p>LED 'E' Afb. 2 brandt niet.</p>	<p>Volg de instructies onder Onderhoud, 'Waterreservoir vullen'.</p> <p>Controleer of de stekker goed in de wandcontactdoos zit. Schakelaar 'A' Afb. 2 staat in de 'AAN' (I)-stand. Druk op schakelaar 'B' Afb. 2 tot u één piepton hoort voor het vlameffect.</p>

IMPORTANTE: LEGGERE ATTENTAMENTE LE ISTRUZIONI RIPORTATE DI SEGUITO E CONSERVARLE PER POTERLE CONSULTARE IN FUTURO

Importanti istruzioni sulla sicurezza:

Durante l'uso del prodotto adottare le misure di sicurezza valide per qualsiasi apparecchio elettrico, onde evitare incendi, scosse elettriche e infortuni ai presenti. Prestare particolare attenzione alle seguenti raccomandazioni:

Se il prodotto risulta danneggiato, rivolgersi al fornitore prima di installarlo e utilizzarlo.

Non utilizzare l'unità all'aperto.

Non utilizzare l'unità nelle immediate vicinanze di bagni, docce o piscine.

Non collocare il radiatore elettrico direttamente sotto una presa di corrente o una centralina.

Tenere l'apparecchio fuori dalla portata dei bambini o di persone con disabilità motorie, sensoriali o mentali. Evitare che i bambini giochino con il dispositivo.

Non utilizzare la stufa con un dispositivo di controllo termico, un controller di programma, un timer o qualsiasi altro dispositivo che accenda la stufa automaticamente, poiché, qualora questa venisse accidentalmente coperta o spostata, si potrebbero verificare incendi.

Non lasciare mobili, tende o altro materiale potenzialmente infiammabile a meno di 1 metro dall'unità.

In caso di guasti, scollegare il radiatore elettrico dalla presa di corrente.

Se si prevede di non utilizzare l'unità per un certo periodo, scollegarla dalla presa di corrente.

Sebbene il prodotto sia conforme alle norme di sicurezza, si consiglia di non utilizzarlo su moquette o tappeti a pelo lungo.

Posizionare il radiatore elettrico in modo che la spina sia facilmente raggiungibile.

In caso di danni al cavo di alimentazione, farlo sostituire dal produttore, da un tecnico dell'assistenza o da chiunque abbia le competenze necessarie a eseguire l'operazione in condizioni di sicurezza.

Tenere il cavo di alimentazione lontano dalla parte anteriore della stufa.

AVVERTENZA: non coprire la stufa onde evitarne il surriscaldamento. Non collocarvi sopra alcun oggetto o rivestimento, né ostacolare in alcun modo la circolazione dell'aria intorno all'unità.



L'unità presenta il simbolo di avvertenza per indicare che non deve essere coperta.

Informazioni preliminari.

Rimuovere con cautela il prodotto dall'imballaggio e conservare l'imballaggio per un eventuale trasloco o necessità di riconsegnare la stufa elettrica al fornitore. Il telecomando e le batterie sono imballati separatamente all'interno della scatola.

La stufa è dotata di un "effetto fiamma" indipendente dall'emissione di calore, che può essere utilizzato in ogni periodo dell'anno. L'effetto fiamma da solo richiede poca elettricità.

La stufa è progettata per essere incassata in un vano per caminetto di larghezza pari a 407 mm o 457 mm e di altezza pari a 559 mm oppure per l'installazione come struttura autonoma - consultare anche la sezione 'Istruzioni per l'installazione'.

Prima di collegare la stufa all'alimentazione, verificare che la tensione di rete corrisponda alla tensione indicata sul prodotto.

Nota: Se l'ambiente in cui viene usata la stufa è particolarmente silenzioso, è possibile percepire il rumore dell'effetto fiamma in funzione. Si tratta di un fenomeno del tutto normale che non deve suscitare preoccupazione.

Connessione elettrica.

AVVERTENZA – IL PRODOTTO DEVE ESSERE COLLEGATO A TERRA.

Questa stufa deve essere alimentata solo a corrente alternata e la tensione indicata sul prodotto deve corrispondere alla tensione di rete.

Prima dell'accensione, leggere le avvertenze per la sicurezza e le istruzioni per il funzionamento.

CONSERVARE LA PRESENTE GUIDA PER L'UTENTE PER POTERLA CONSULTARE IN FUTURO

Non lavare in lavastoviglie alcun componente in plastica della stufa Opti-myst.

Aprire il cassetto solo quando è necessario riempire il serbatoio dell'acqua o sostituire una lampadina, altrimenti si causerà inavvertitamente un'alterazione del livello di acqua e del funzionamento dell'effetto fiamma.

Usare esclusivamente acqua di rubinetto filtrata per questo apparecchio.

Accertarsi sempre che l'apparecchio appoggi su una base piana.

Se si prevede di non utilizzare l'apparecchio per più di 2 settimane, vuotare la vasca di raccolta e il serbatoio dell'acqua e asciugare la vasca di raccolta.

Una volta installato, non spostare l'apparecchio né appoggiarlo sul dorso senza aver vuotato la vasca di raccolta e il serbatoio dell'acqua.

Il serbatoio dell'acqua, la vasca di raccolta, il coperchio della vasca di raccolta, il tappo del serbatoio e i filtri dell'aria devono essere puliti una volta ogni due settimane, in particolare nelle zone con acqua dura.

L'apparecchio non deve mai essere messo in funzione se le lampadine non funzionano.

Le lampadine devono essere controllate regolarmente come descritto nella sezione 'Manutenzione' e 'Sostituzione delle lampadine'.

Istruzioni per l'installazione

Prima di installare questo apparecchio, si raccomanda di:

1. Far pulire il camino da uno spazzacamino professionista.
2. Bloccare la canna fumaria.

Questa operazione è importante al fine del funzionamento efficace della stufa e riduce la dispersione del calore nel camino.

Installazione.

Accertarsi di aver rimosso tutti gli elementi dell'imballaggio (leggere con attenzione le etichette di avvertenza).

Conservare tutti i materiali di imballaggio per eventuale necessità futura, ad esempio in caso di trasporto o restituzione dell'apparecchio al fornitore.

Per installare l'apparecchio:

1. Rimuovere la grata del caminetto, vassoio per la cenere, ecc.
2. Conservare la grata del letto di cenere in un luogo sicuro per un possibile uso futuro.
3. Pulire il focolare da eventuali residui di cenere o polvere, ecc.

Sul retro dell'apparecchio si trovano due supporti regolabili per il livellamento della stufa nel caso in cui l'apertura del vano caminetto sia rialzata rispetto al focolare.

Ora si è pronti per l'installazione dell'apparecchio nel caminetto. Accertarsi che l'unità sia su **OFF**.

Tenere la stufa ai lati del telaio e posizionarla con attenzione. Collegare la stufa a una presa da 13amp/240 volt. Accertarsi che il cavo dell'alimentazione esca davanti il caminetto, sull'angolo destro o sinistro a seconda della presa di alimentazione più vicina, e fare attenzione che non sia schiacciato sotto la stufa altrimenti potrebbe danneggiarsi.

Prima di usare i comandi manuali riempire il serbatoio dell'acqua (vedere 'Manutenzione', 'Riempimento del serbatoio dell'acqua').

Comandi manuali.


I comandi manuali Opti-myst sono collocati sotto il coperchio a cerniera del tettuccio. Sollevare il coperchio del tettuccio per accedere ai comandi. (Vedere fig. 2 per la posizione dei comandi manuali)


Interruttore A':- comanda l'alimentazione elettrica della stufa. Nota: L'interruttore deve trovarsi in posizione 'ON' (I) affinché la stufa entri in funzione con o senza emissione di aria calda.


Interruttore 'B':- comanda le funzioni della stufa.


Premere una volta per attivare l'effetto fiamma.

L'attivazione viene segnalata dall'emissione di un beep. Sebbene le luci principali si attivino immediatamente, saranno necessari altri 30 secondi prima dell'avviamento dell'effetto fiamma.

 **Premere nuovamente per impostare l'effetto fiamma e il riscaldamento medio.** L'attivazione verrà indicata dall'emissione di due beep.

 **Premere nuovamente per impostare l'effetto fiamma e il riscaldamento massimo.** L'attivazione verrà segnalata dall'emissione di tre beep.

 **Premere nuovamente per tornare al solo effetto fiamma.** L'attivazione viene segnalata dall'emissione di un beep.

 **Premere per impostare la stufa in modalità standby.** L'attivazione viene segnalata dall'emissione di un beep.

Manopola di controllo 'C':- controlla l'intensità dell'effetto fiamma.

Ruotando manopola di controllo in senso orario l'effetto fiamma aumenta, ruotandola in senso antiorario l'effetto fiamma diminuirà.

Manopola di controllo 'D':- controlla l'impostazione del termostato elettrico.

Ruotando manopola di controllo in senso orario la temperatura diminuisce, ruotandola in senso antiorario la temperatura aumenta.

LED 'E':- quando è acceso indica che il serbatoio dell'acqua è vuoto. Si udiranno due beep.

Quando non c'è acqua le spie principali si spengono. Vedere le istruzioni in 'Manutenzione', 'Riempimento del serbatoio dell'acqua'. Una volta terminata questa procedura, le lampadine principali si accendono, ma sarà necessario attendere 30 secondi prima le fiamme appaiano nuovamente.

Termostato elettrico

Il termostato controlla l'emissione di aria calda in base alla temperatura ambiente. Ciò garantisce che la stufa non produca aria calda inutilmente se la stanza è già calda.

Per impostare la temperatura desiderata, girare la manopola di controllo del termostato 'D' (vedere fig. 2) in senso antiorario portando la temperatura sul valore desiderato. Oppure, per riscaldare velocemente una stanza fredda, ruotare la manopola di controllo del termostato 'D' (vedere fig. 2) al massimo. Quando la stanza ha raggiunto la temperatura desiderata, ruotare la manopola di controllo del termostato 'D' (vedere fig. 2) in senso orario fino all'impostazione di calore desiderata. Ora la stufa funzionerà automaticamente a questa temperatura.

Funzionamento del telecomando

Sul pannello di controllo, affinché il telecomando funzioni, l'interruttore A (vedere fig. 2) deve essere sulla posizione 'ON' (I). Sul telecomando sono presenti 3 pulsanti. (Vedere fig. 7) Per poter funzionare correttamente, il telecomando deve essere puntato verso l'effetto di combustione anteriore. Le funzioni del telecomando sono le seguenti:



Premere una volta per attivare solo l'effetto fiamma. L'attivazione viene segnalata dall'emissione di un beep.

Premere una volta per attivare il riscaldamento medio e l'effetto fiamma.

L'attivazione verrà indicata dall'emissione di due beep.



Premere nuovamente per attivare il riscaldamento massimo e l'effetto fiamma.

L'attivazione verrà segnalata dall'emissione di tre beep.



Standby

L'attivazione viene segnalata dall'emissione di un beep.

Informazioni sulla batteria.

1. Sganciare il coperchio della batteria sul retro del telecomando. (Vedere fig. 7)
2. Installare nel telecomando batterie di tipo AAA.
3. Sostituire il coperchio della batteria.

In caso di perdite, eliminare le batterie.

Per lo smaltimento delle batterie, fare riferimento alle norme ambientali locali.

L'eventuale uso di batterie di tipi diversi, l'installazione errata, la mancata sostituzione di tutte le batterie allo stesso tempo, il contatto con il fuoco o il tentativo di ricaricare batterie non ricaricabili possono causare perdite di elettrolito.

Interruttori di sicurezza termici

L'aeroterma è dotato di un interruttore di sicurezza termico per la prevenzione di danni dovuti al surriscaldamento. Questo può verificarsi se l'uscita dell'aria calda viene ostruita in qualsiasi modo o se la canna fumaria non è stata bloccata in modo efficace. Se scatta l'interruttore di sicurezza, scollegare la stufa dalla presa e attendere 10 minuti prima di ricollegarla. Prima di riaccendere la stufa rimuovere eventuali ostruzioni che possano occludere l'uscita dell'aria calda, quindi riprendere il normale funzionamento.

Suggerimenti per l'uso dell'apparecchio.

1. Estrarre il cassetto solo quando è necessario riempire il serbatoio dell'acqua o sostituire una lampadina, altrimenti si potrebbe determinare un eccesso di acqua nella vasca di raccolta e ridurre l'effetto fiamma. Se questo accade, vuotare l'acqua della vasca di raccolta secondo le istruzioni fornite nella sezione 'Manutenzione'.
2. Con l'impostazione minima della fiamma, l'unità userà circa 40 ml di acqua l'ora e funzionerà circa 3 volte di più che con l'impostazione massima.
3. Non inclinare o spostare la stufa quando è presente dell'acqua nel serbatoio o nella vaschetta.
4. Accertarsi che la stufa sia collocata su una superficie piana.
5. La manopola di controllo della fiamma 'C' fig. 2 può essere ruotata verso l'alto o il basso per creare un effetto più realistico.
6. Talvolta le fiamme hanno un aspetto più realistico quando la manopola di controllo della fiamma è ruotata verso il basso.
7. Dare un po' di tempo al generatore di fiamma per reagire alle modifiche effettuate sulla manopola di controllo della fiamma.

Manutenzione

AVVERTENZA: SCOLLEGARE SEMPRE L'ALIMENTAZIONE DI RETE PRIMA DI EFFETTUARE QUALSIASI INTERVENTO DI MANUTENZIONE.

Sostituzione delle lampadine.

Se una grande quantità di fumo appare grigio o incolore, è possibile che una o più lampadine siano guaste.

Per verificare la presenza di lampadine guaste procedere come segue:

1. Lasciare acceso l'effetto fiamma, estrarre delicatamente il cassetto per l'aletta. (Vedere fig. 3)
2. Guardare le lampadine da una certa distanza davanti al fuoco e individuare quale lampadina deve essere sostituita.
3. Mettere l'interruttore 'A' in posizione 'OFF' e scollegare la stufa dalla corrente.
4. Attendere 20 minuti per consentire alle lampadine di raffreddarsi prima di rimuoverle.
5. Rimuovere il serbatoio dell'acqua sollevandolo verso l'alto e riporlo in un lavandino.
6. Rimuovere la vasca di raccolta come descritto nella sezione Pulizia.
7. Rimuovere la lampadina guasta sollevandola delicatamente verso l'alto sganciando i perni dal portalampada (vedere fig. 4 e 5). Sostituire con una lampadina colorata Dimplex Opti-myst, 12V, 50W, base Gu 5,3, angolo del raggio 8°. (Acquistata su www.dimplex.co.uk alla sezione 'After Sales Service' dove sono contenuti i dettagli sull'acquisto delle lampadine.)
8. Inserire delicatamente i due perni della nuova lampadina nei due fori del portalampada. Spingere saldamente in posizione. (Vedere fig. 4 e 5).
9. Sostituire la vasca di raccolta e il serbatoio dell'acqua e chiudere accuratamente il cassetto.
10. Accendere.

Riempimento del serbatoio dell'acqua.

Quando si usa l'apparecchio per la prima volta o quando si accende la spia di avviso del livello di acqua, si udiranno 2 'beep' di avviso che il serbatoio dell'acqua è vuoto e deve essere riempito. Per riempire il serbatoio, procedere come segue.

1. Premere l'interruttore 'A' su **(0)** (vedere fig. 2)
2. Estrarre delicatamente il cassetto il massimo possibile tenendolo per l'aletta. (Vedere fig. 3)
3. Rimuovere il serbatoio dell'acqua sollevandolo verso l'alto e verso l'esterno.
4. Collocare il serbatoio dell'acqua in un lavandino e rimuovere il tappo ruotandolo in senso antiorario. (Vedere fig. 6)
5. Riempire il serbatoio unicamente con **acqua filtrata di rubinetto**. Questo è necessario per prolungare la vita dell'unità che produce la fiamma e il fumo. L'acqua deve essere filtrata mediante un comune sistema di filtraggio dell'acqua domestica e il filtro deve essere sostituito regolarmente.
6. Riavvitare il tappo, **non stringere eccessivamente**.
7. Rimettere il serbatoio nella vasca di raccolta, con il tappo rivolto verso il basso e il lato piatto del serbatoio rivolto verso l'esterno.
8. Spingere nuovamente il cassetto con delicatezza all'interno fin dove è possibile.

- Premere l'interruttore 'A' sulla posizione 'ON' (I) (vedere fig. 2)
- Premere una volta l'interruttore 'B' per attivare l'effetto fiamma. (Vedere la sezione Comandi manuali e la fig. 2)

Pulizia.

AVVERTENZA – SCOLLEGARE SEMPRE L'ALIMENTAZIONE DI RETE PRIMA DI PULIRE LA STUFA.

Si raccomanda di pulire i seguenti componenti una volta ogni 2 settimane, in particolare nelle zone con acqua dura:-

serbatoio dell'acqua, vasca di raccolta e guarnizione, coperchio della vasca di raccolta, tappo del serbatoio e guarnizione, filtro dell'aria.

Per pulire il corpo dell'unità, usare un panno morbido per la polvere; evitare i panni abrasivi. Per rimuovere l'accumulo di polvere o lanugine, pulire di tanto in tanto la griglia di mandata della ventola con l'accessorio a spazzola morbida di un aspirapolvere.

Serbatoio dell'acqua

- Rimuovere il serbatoio dell'acqua come descritto prima, metterlo nel lavandino e vuotare l'acqua.
- Usando la spazzola fornita sfregare con delicatezza le superfici interne del tappo facendo particolare attenzione all'anello di gomma della scanalatura esterna e alla guarnizione in gomma centrale.
- Mettere una piccola quantità di detergente nel serbatoio, chiudere con il tappo e agitare bene, quindi sciacquare finché non è stata rimossa ogni traccia di detergente.
- Riempire solo con acqua filtra di rubinetto, rimettere il tappo, non stringere eccessivamente.

Vasca di raccolta

- Premere l'interruttore 'A' sulla posizione 'OFF' (0)
- Estrarre delicatamente il cassetto il massimo possibile. (Vedere fig. 3)
- Rimuovere il serbatoio dell'acqua sollevandolo verso l'alto.
- Scollegare il connettore elettrico, ubicato sul lato sinistro della vasca di raccolta, allentando prima le due viti di fissaggio e quindi rimuovendo delicatamente il connettore. (Vedere fig. 8)
- Sbloccare le alette inferiori di bloccaggio della vasca di raccolta eseguendo una rotazione a 90°, in questo modo la vasca può essere completamente sollevata dalla sua posizione. (Vedere fig. 9)
- Sollevare delicatamente il gruppo della vasca di raccolta, facendo attenzione a non inclinarlo in modo da non far fuoriuscire l'acqua. Collocare il gruppo in un lavandino. (Vedere fig. 10)
- Sbloccare le due alette di bloccaggio superiori della vasca di raccolta eseguendo una rotazione a 90°, quindi aprire il coperchio della vasca sollevandolo. (Vedere fig. 11)
- Inclinare delicatamente, come mostrato in figura, in modo che il liquido fuoriesca dalla vasca di raccolta. (Vedere fig. 12)
- Versare una piccola quantità di detergente nella vasca di raccolta e usando la spazzola fornita, pulire delicatamente tutte le superfici incluso i dischi di

metallo e la guarnizione in gomma ubicata nella superficie scanalata superiore. **Non rimuovere le guarnizioni in gomma.** (Vedere fig. 13 e 14).

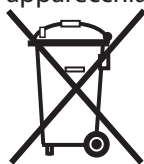
- Una volta pulita, sciacquare accuratamente la vasca di raccolta con acqua pulita.
- Pulire la superficie esterna del coperchio della vasca di raccolta con la spazzola quindi sciacquare accuratamente con acqua. (Vedere fig. 15 e 16)
- Ripetere i passaggi sopra al contrario per rimontare il gruppo.

Filtro dell'aria.

- Premere l'interruttore 'A' sulla posizione 'OFF' (0) (vedere fig. 2)
- Estrarre delicatamente il cassetto il massimo possibile. (Vedere fig. 3)
- Rimuovere il serbatoio e collocarlo in un lavandino con il tappo rivolto verso l'alto.
- Far scorrere delicatamente verso l'alto il portafiltro in plastica. (Vedere fig. 17)
- Rimuovere il gruppo del filtro dal portafiltro in plastica.
- Sciacquare delicatamente con acqua il lavandino e asciugare con un panno di tessuto prima del riposizionamento.
- Sostituire il gruppo del filtro accertandosi che il filtro grosso nero sia a contatto con il portafiltro in plastica. (Vedere fig. 18)
- Sostituire il serbatoio.
- Chiudere completamente il cassetto.
- Premere l'interruttore 'A' sulla posizione 'ON' (I) (vedere fig. 2)

Riciclaggio.

Prodotti elettrici venduti nell'ambito della Comunità Europea. Al termine della loro durata funzionale, le apparecchiature elettriche non dovranno essere smaltite con i rifiuti domestici. Devono invece essere smaltite nelle apposite discariche. Per informazioni sui servizi di riciclaggio locali, rivolgersi all'amministrazione locale o al proprio rivenditore di fiducia.



Servizio di assistenza clienti.

Il prodotto è garantito per un anno a partire dalla data di acquisto. In questo arco di tempo ci impegniamo a riparare o sostituire il prodotto senza alcun addebito al cliente (salvo le lampadine e soggetto a disponibilità) purché sia stato installato e utilizzato in modo appropriato. Per l'assistenza post-vendita o per l'acquisto di parti, rivolgersi al proprio rivenditore o al numero dell'assistenza del proprio paese indicato sulla garanzia. Non restituire un prodotto difettoso senza aver prima contattato l'assistenza, per evitare la perdita o il danneggiamento dello stesso e il conseguente ritardo nel fornirvi un servizio soddisfacente.

Conservare la ricevuta come prova d'acquisto.

Risoluzione dei problemi

Sintomo	Causa	Azione correttiva
L'effetto fiamma non parte.	<p>Il cavo della corrente non è collegato.</p> <p>L'interruttore A è sulla posizione 'ON' (I), ma non è stato premuto l'interruttore B della modalità. (Vedere fig. 2) Basso livello dell'acqua.</p> <p>Il connettore a bassa tensione non è collegato correttamente. (Vedere fig. 8)</p>	<p>Verificare che la spina sia correttamente collegata alla presa della corrente.</p> <p>Premere una volta l'interruttore B per l'effetto fiamma. (Vedere fig. 2)</p> <p>Verificare il LED di avviso di basso livello dell'acqua 'E' sotto il tettuccio. (Vedere fig. 2). Se 'ON' riempire il serbatoio dell'acqua.</p> <p>Verificare che il connettore sia inserito correttamente. (Vedere fig. 8)</p>
L'effetto fiamma è troppo basso.	<p>La manopola di controllo dell'effetto fiamma è posizionata su un livello troppo basso. (Vedere fig. 2) L'acqua nella vasca di raccolta può essere troppo elevata a causa dell'apertura e chiusura frequente del cassetto, della rimozione frequente del serbatoio dell'acqua o per lo spostamento della stufa.</p> <p>Il disco di metallo alla base della vasca di raccolta può essere sporco (vedere fig. 13)</p>	<p>Aumentare il livello della fiamma ruotando leggermente in senso orario la manopola di controllo C. (Vedere fig. 2) Se il livello dell'acqua nella vasca di raccolta è superiore a 40 mm, la vasca deve essere rimossa e vuotata nel lavandino.</p> <p>Pulire i dischi di metallo con la spazzola morbida fornita. (Vedere fig. 13) Vedere 'Manutenzione' per una procedura passo per passo.</p>
Durante l'uso dell'unità si produce un odore sgradevole.	<p>Acqua sporca o stagnante.</p> <p>È stata usata acqua di rubinetto non filtrata.</p>	<p>Pulire l'unità come descritto nella sezione Manutenzione.</p> <p>Usare solo acqua di rubinetto filtrata.</p>
L'effetto fiamma ha troppo fumo.	L'impostazione dell'effetto fiamma è troppo alta.	Ruotare la manopola di controllo dell'effetto fiamma C in senso antiorario portandola al minimo e quindi ruotarla lentamente in senso orario di circa ¼ alla volta. Dare al generatore di fiamma il tempo di regolarsi prima di aumentare l'impostazione. (Vedere fig. 2)
Le lampadine principali non funzionano e non c'è né fiamma né fumo.	<p>Il LED 'E' fig. 2 è acceso.</p> <p>Il LED 'E' fig. 2 non è acceso.</p>	<p>Seguire le istruzioni nella sezione Manutenzione, 'Riempimento del serbatoio dell'acqua'.</p> <p>Verificare che la spina sia correttamente collegata alla presa della corrente. L'interruttore 'A' fig. 2 è in posizione 'ON' (I). Per l'effetto fiamma premere l'interruttore 'B' fig. 2 fino a udire un beep solo.</p>

Важная информация по технике безопасности:
Для снижения риска воспламенения, поражения электрическим током и получения травм при использовании электроприборов необходимо соблюдать основные меры безопасности, в том числе:

Если прибор поврежден, перед его установкой и эксплуатацией обратитесь за консультацией к поставщику оборудования.

Не используйте прибор вне помещений.

Не используйте прибор в непосредственной близости от ванной комнаты, душа или бассейна.

Не располагайте прибор непосредственно под штепсельной розеткой или соединительной коробкой.

Данный прибор не предназначен для использования детьми или другими лицами без посторонней помощи или контроля, если их физические, осязательные или умственные способности препятствуют безопасной эксплуатации прибора. Внимательно следите за тем, чтобы дети не играли с прибором.

Не используйте обогреватель в сочетании с терморегулятором, программным контроллером, таймером или любым другим устройством, которое осуществляет автоматическое переключение в режим нагрева, поскольку случайный заслон или смещение обогревателя может стать причиной пожара.

Убедитесь в том, что на расстоянии 1 м от обогревателя отсутствует мебель, шторы или другие воспламеняющиеся предметы.

В случае сбоя вытащите вилку обогревателя из розетки.

Отсоединяйте прибор от розетки, если он не используется в течение длительного времени. Хотя прибор соответствует нормам безопасности, мы не рекомендуем устанавливать его на ковровых покрытиях с длинным ворсом.

Прибор следует располагать так, чтобы имелся доступ к его вилке.

Если шнур питания поврежден, во избежание возникновения опасных ситуаций его замена должна осуществляться изготовителем, агентом по сервисному обслуживанию или специалистом аналогичной квалификации.

Следите за тем, чтобы шнур питания не оказался в зоне перед обогревателем.

ВНИМАНИЕ: Не накрывайте обогреватель во избежание перегрева. Не кладите на обогреватель ткань или одежду и не создавайте препятствия для циркуляции воздуха вокруг обогревателя.



На обогревателе располагается предупреждающий знак, показывающий, что прибор нельзя накрывать.

Общая информация.

Аккуратно распакуйте обогреватель и сохраните упаковку для дальнейшего использования на случай транспортировки или возврата электрического камина поставщику. Пульт дистанционного управления и батарейки упакованы в отдельную коробку.

В камине предусмотрен эффект живого пламени, который можно использовать как в сочетании с функцией нагрева, так и без нее, что обеспечивает создание уютной обстановки в любое время года. При включении только эффекта пламени прибор потребляет небольшое количество электроэнергии.

Обогреватель встраивается в нишу шириной 407 мм (16") или 457 мм (18") и высотой 559 мм (22") или устанавливается в качестве отдельно стоящего прибора - см. также раздел "Указания по установке".

Перед подключением обогревателя убедитесь в том, что напряжение питания соответствует значению, указанному на обогревателе.

Примечание: Если прибор используется в помещении с низким уровнем фонового шума, можно услышать звук, создаваемый эффектом пламени. Это нормальное явление, которое не должно служить причиной для беспокойства.

Электрическое подключение.

ВНИМАНИЕ! ДАННЫЙ ПРИБОР ТРЕБУЕТ ЗАЗЕМЛЕНИЯ.

Прибор следует подключать только к источнику питания переменного тока, при этом напряжение должно соответствовать указанному на приборе. Перед включением прибора ознакомьтесь с указаниями по безопасности и инструкцией по эксплуатации.

СОХРАНИТЕ ДАННОЕ РУКОВОДСТВО ДЛЯ БУДУЩЕГО ИСПОЛЬЗОВАНИЯ

Не мойте пластмассовые части прибора Opti-myst в посудомоечной машине.

Выдвигайте ящик только при необходимости доливки воды в бак или замены лампы, иначе вы можете случайно изменить уровень воды и нарушить работу эффекта пламени.

Использовать для этого прибора только фильтрованную водопроводную воду.

Устанавливать прибор только на ровном полу.

Если прибор не будет использоваться в течение более 2 недель, слейте воду из поддона и бака и протрите поддон.

После установки нельзя перемещать и опрокидывать прибор, не слив предварительно воду из поддона и бака.

Бак для воды, поддон, крышку поддона, пробку бака и воздушные фильтры следует очищать каждые две недели, в особенности в регионах с жесткой водой.

Нельзя использовать прибор, если лампы не работают. Лампы следует регулярно проверять, как описано в главах "Техобслуживание" и "Замена ламп".

Указания по установке

Перед установкой прибора рекомендуется следующее:

1. Прочистить дымовую трубу, обратившись в профессиональную службу.
2. Открыть дымоход.

Данная процедура важна для эффективной работы нагревательного элемента и уменьшит теплопотери через дымоход.

Установка.

Убедитесь, что весь упаковочный материал снят (внимательно читайте все предупреждающие надписи). Сохраните всю упаковку на случай последующей транспортировки или возврата прибора поставщику.

Установка прибора:

1. Снимите каминную решётку, зольник и др.
 2. Сохраните решётку для дальнейшего использования.
 3. Очистите топку от остатков золы, пыли и т. д.
- В задней части прибора находятся две регулируемые опоры, предназначенные для выравнивания камина в случае, если каминная ниша находится выше уровня топки. Теперь вы готовы к установке электрокамина в предусмотренное для него место.

Убедитесь, что прибор **ВЫКЛЮЧЕН**.


Держите камин по бокам и осторожно установите в нужное положение. Подключите камин к розетке 13 А / 240 В. Убедитесь, что кабель питания выходит спереди камина, в правом или левом углу, дотягивается до электророзетки и не зажат под камином, что может привести к его повреждению.

Перед использованием элементов ручного управления заполните бак водой (см. “Техобслуживание”, “Заполнение бака для воды”).


Элементы ручного управления.


Элементы ручного управления прибора Opti-must находятся под откидной крышкой кожуха. Поднимите крышку, чтобы получить доступ к элементам управления. (Схему элементов ручного управления см. на рис. 2) Выключатель “А”: управляет подачей питания к прибору. Примечание: Для работы прибора в режиме нагрева или без него данный выключатель должен находиться в положении ON (ВКЛ.) (I).


Выключатель “В”: управляет функциями камина.


Нажмите  один раз, чтобы включить эффект пламени. Операция подтверждается одиночным звуковым сигналом.

Хотя основные индикаторы загораются немедленно, для включения эффекта пламени требуется ещё около 30 секунд.

Нажмите  ещё раз, чтобы включить эффект пламени и половинный нагрев. Операция подтверждается двумя звуковыми сигналами.

Нажмите  ещё раз, чтобы включить эффект пламени и полный нагрев. Операция подтверждается тремя звуковыми сигналами.

Нажмите  ещё раз, чтобы оставить только эффект пламени. Операция подтверждается одиночным звуковым сигналом.

Нажмите  , чтобы перевести камин в режим ожидания. Операция подтверждается одиночным звуковым сигналом.

Регулятор “С”: управляет интенсивностью эффекта пламени.

При вращении регулятора по часовой стрелке интенсивность пламени увеличивается, при вращении регулятора против часовой стрелки - уменьшается.

Регулятор “D”: управляет настройкой электронного термостата.

При вращении регулятора по часовой стрелке температура уменьшается, при вращении против часовой стрелки - температура увеличивается.

Индикатор “Е”: включённый индикатор указывает на то, что бак для воды пуст. Выдаётся два звуковых сигнала. Когда бак для воды пуст, основные индикаторы выключаются. См. указания в главах “Техобслуживание”, “Заполнение бака для воды”. После завершения операции основные индикаторы загораются, однако для возобновления эффекта пламени требуется ещё 30 секунд.


Электронный термостат

Термостат предназначен для управления мощностью нагрева в соответствии с температурой в помещении. Этим гарантируется, что прибор не будет производить лишнее тепло, когда в комнате тепло.

Чтобы установить нужную температуру, поверните регулятор термостата “D” (см. рис. 2) против часовой стрелки до необходимой температуры. Для быстрого нагрева холодного помещения поверните регулятор термостата “D” (см. рис. 2) до упора. Когда необходимая температура достигнута, поверните ручку термостата “D” (см. рис. 2) по часовой стрелке, чтобы установить нужную мощность нагрева. Теперь обогреватель будет автоматически работать при заданной температуре.

Использование пульта дистанционного управления

Для использования дистанционного управления выключатель А (см. рис. 2) на панели управления должен находиться в положении “ON” (ВКЛ.) (I). На пульте ДУ имеются 3 кнопки. (См. рис. 7) Для правильной работы пульт ДУ следует направлять на переднюю панель эффекта пламени. Имеются следующие функции ДУ:

Нажать один раз для включения только эффекта пламени.
 Операция подтверждается одиночным звуковым сигналом.

Нажать один раз для включения половинного нагрева и эффекта пламени.

Операция подтверждается двумя звуковыми сигналами.



Нажать один раз для включения полного нагрева и эффекта пламени.

Операция подтверждается тремя звуковыми сигналами.



Режим ожидания

Операция подтверждается одиночным звуковым сигналом.

Информация об источниках питания.

1. Снять крышку на задней стороне пульта ДУ. (См. рис. 7)
2. Установить батарейки типа AAA в пульт.
3. Установить крышку на место.

Утилизация батарей с нарушенной герметичностью.

Утилизируйте батареи надлежащим образом в соответствии с государственными и региональными нормативными актами.

Установка батарей разного типа, неправильная установка, разрозненная замена батарей, их ликвидация путем сжигания в открытом огне, а также попытки зарядки батарей, не предназначенных для повторного использования, могут привести к утечке электролита.

Тепловые плавкие предохранители

Встроенный в прибор тепловой плавкий предохранитель предотвращает его повреждение вследствие перегрева. Это может произойти при ограничении отвода тепла или засорённости дымохода. Если сработал предохранитель, отсоедините прибор от розетки и включите снова примерно через 10 минут. Перед повторным включением прибора устраните все препятствия для отвода тепла, затем установите обычный режим работы.

Советы по использованию прибора.

1. Выдвигайте ящик только при необходимости долить воды в бак или заменить лампы, иначе возможно превышение уровня воды в поддоне и ослабление эффекта пламени. Если это произойдёт, слейте воду из поддона, как описано в главе "Техобслуживание".
2. При минимальной настройке пламени прибор использует примерно 40 мл воды на каждый час и работает в три раза дольше, чем при максимальном пламени.
3. Нельзя наклонять и двигать камин, когда в баке или поддоне есть вода.
4. Устанавливать камин только на ровном полу.
5. Ручку регулировки пламени "С" рис. 2 можно поворачивать вверх или вниз, чтобы добиться реалистичного эффекта.
6. Иногда пламя кажется более реалистичным, если ручка регулировки повернута вниз.
7. Генератору пламени требуется некоторое время для реакции на изменения, выполненные ручкой регулировки пламени.

Техобслуживание

ВНИМАНИЕ: ПЕРЕД ВЫПОЛНЕНИЕМ ТЕХОБСЛУЖИВАНИЯ ВСЕГДА ОТКЛЮЧАЙТЕ ПРИБОР ОТ ИСТОЧНИКА ПИТАНИЯ

Замена ламп.

Если появляется большое количество серого или бесцветного дыма, то вероятно поломка одной или нескольких ламп.

Неисправности ламп можно выявить следующим образом.

1. Оставьте эффект пламени включённым, осторожно выдвиньте ящик за язычок до упора. (См. рис. 3)
2. Рассмотрите лампы на расстоянии спереди камина, чтобы определить, какие необходимо заменить.
3. Переверните выключатель "А" в положение "OFF" (ВЫКЛ.) и отсоедините камин от сети.
4. Оставьте прибор на 20 минут, чтобы лампы остыли перед заменой.
5. Приподнимите и снимите бак для воды, поставьте его в раковину.
6. Снимите поддон, как описано в разделе "Чистка".
7. Удалите неисправную лампу, осторожно подняв вертикально и отсоединив штырьки от патрона, (см. рис. 4 и 5). Замените на цветную лампу Dimplex Optimum, 12 В, 50 Вт, с цоколем Gu5.3, углом расхождения пучка 8°. (Приобретаются на сайте www.dimplex.co.uk в разделе "Послепродажное обслуживание", порядок приобретения ламп описан на сайте.)
8. Осторожно вставьте два штырька новой лампы в два отверстия в патроне. Вдавите для плотной посадки. (См. рис. 4 и 5).
9. Установите на место поддон и бак для воды и осторожно закройте ящик.
10. Включите прибор.

Заполнение бака для воды.

При использовании прибора в первый раз или при загорании индикатора уровня воды вы услышите 2 звуковых сигнала, если вода отсутствует и необходимо заполнить бак. Действуйте следующим образом.

1. Нажмите выключатель "А" в положение (0) (см. рис. 2).
2. Осторожно выдвиньте ящик за язычок насколько возможно. (См. рис. 3)
3. Снимите бак для воды, приподняв и выдвинув наружу.
4. Поставьте бак для воды в раковину и открутите пробку против часовой стрелки. (См. рис. 6)
5. Заполняйте бак только **фильтрованной водопроводной водой**. Благодаря этому продлевается срок службы блока создания пламени и дыма. Воду следует фильтровать обычным бытовым фильтром для воды, регулярно заменять фильтр.
6. Прикрутите пробку на место, **не затягивайте её слишком сильно**.
7. Установите бак на поддон, при этом пробка бака должна быть обращена вниз, а плоская сторона бака - наружу.
8. Осторожно задвиньте ящик назад до упора.
9. Нажмите выключатель "А" в положение "ON" (ВКЛ.) (I) (см. рис. 2)
10. Нажмите выключатель "В" один раз, чтобы включить эффект пламени. (См. раздел о ручном управлении, рис. 2)

Чистка.

ВНИМАНИЕ! ПЕРЕД ЧИСТКОЙ ВСЕГДА ОТКЛЮЧАЙТЕ ОБОГРЕВАТЕЛЬ ОТ ИСТОЧНИКА ПИТАНИЯ.

Рекомендуем очищать следующие компоненты каждые 2 недели, особенно в регионах с жёсткой водой:

бак для воды, поддон и уплотнение, крышку поддона, пробку и уплотнение бака, воздушный фильтр.

Общая чистка выполняется мягкой, чистой тряпкой

- никогда не используйте абразивные чистящие средства. Для удаления скопления пыли или пуха и очистки вытяжной воздухораспределительной решетки вентилятора прибора периодически используйте насадку пылесоса в форме мягкой щетки.

Бак для воды

1. Снимите бак для воды, как было описано ранее, поставьте его в раковину и слейте воду.
2. Прилагаемой щёткой аккуратно очистите внутренние поверхности пробки, уделяя особое внимание резиновому кольцу в наружной бороздке и центральному уплотнительному кольцу.
3. Капните немного жидкости для мытья посуды в бак, закройте пробку и хорошо встряхните, затем полностью смойте моющую жидкость.
4. Залейте обязательно фильтрованную воду, закройте пробку, не затягивайте слишком сильно.

Поддон

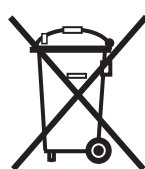
1. Нажмите выключатель "А" в положение "OFF" (ВЫКЛ.) (0)
2. Осторожно выдвиньте ящик за язычок насколько возможно. (См. рис. 3)
3. Снимите бак для воды, приподняв его.
4. Отсоедините электрический разъём, расположенный с левой стороны поддона, отвернув вначале два зажимных винта, и осторожно извлеките разъём. (См. рис. 8)
5. Разомкните нижние фиксаторы поддона, повернув на 90°, после этого можно полностью снять поддон. (См. рис. 9)
6. Осторожно приподнимите узел поддона, держа его ровно, чтобы не пролить воду. Поместите весь блок в раковину. (См. рис. 10)
7. Разомкните два верхних фиксатора поддона, повернув на 90°, затем снимите крышку поддона. (См. рис. 11)
8. Осторожно наклоните, как показано на иллюстрации, чтобы жидкость вытекла из поддона. (См. рис. 12)
9. Капните немного жидкости для мытья посуды в поддон и прилагаемой щёткой аккуратно очистите все поверхности, в т. ч. металлические диски и резиновое уплотнение на верхней стороне с канавкой. **Не удаляйте резиновые уплотнения.** (См. рис. 13 и 14)
10. После чистки тщательно промойте поддон чистой водой.
11. Очистите наружную поверхность крышки поддона щёткой и тщательно промойте водой. (См. рис. 10 и 16)
12. Сборка производится в обратном порядке.

Воздушный фильтр.

1. Нажмите выключатель "А" в положение "OFF" (ВЫКЛ.) (0) (см. рис. 2)
2. Осторожно выдвиньте ящик за язычок насколько возможно. (См. рис. 3)
3. Снимите бак и поместите в раковину пробкой вверх.
4. Осторожно отодвиньте вверх пластиковый держатель фильтра. (См. рис. 17)
5. Выньте комбинацию фильтров из держателя.
6. Осторожно промойте водой в раковине и вытрите полотенцем.
7. Выньте комбинацию фильтров из держателя. (См. рис. 18)
8. Установите бак на место.
9. Полностью закройте ящик.
10. Нажмите выключатель "А" в положение "ON" (I) (см. рис. 2)

Утилизация.

Для электрических изделий, продаваемых в пределах Европейского сообщества. По истечении срока эксплуатации электроприборы не следует утилизировать вместе с бытовыми отходами.



Утилизация должна осуществляться в специально оборудованных местах. Для получения информации о правилах утилизации в своей стране обратитесь в местные органы власти или к розничному продавцу.

Послепродажное обслуживание.

На изделие предоставляется гарантия один год с даты покупки. В течение этого времени мы обязуемся бесплатно выполнять ремонт или замену изделия (кроме ламп и с учетом доступности) при условии, что установка и эксплуатация изделия выполнялась в соответствии с данными инструкциями. За помощью в получении послепродажного обслуживания или приобретении запасных деталей, обращайтесь к розничному продавцу, у которого было приобретено данное устройство, или позвоните в центр обслуживания клиентов, расположенный в Вашем регионе, по номеру, указанному на гарантийном талоне. Не возвращайте нам неисправное изделие при первом же сбое в его работе, поскольку это может привести к необоснованным издержкам, ущербу или задержке в предоставлении надлежащего уровня обслуживания.

Сохраните чек, который подтверждает факт покупки прибора.

Устранение неисправностей

Признак	Причина	Способ устранения
Эффект пламени не включается.	Сетевой штепсель не подсоединён. Выключатель А находится в положении "ON" (ВКЛ.) (I), но переключатель режимов В не нажат. (См. рис. 2) Низкий уровень воды. Низковольтный коннектор неправильно подсоединён. (См. рис. 8)	Убедитесь, что вилка вставлена в розетку. Нажмите на выключатель В один раз для выбора эффекта пламени. (См. рис. 2) Проверьте индикатор низкого уровня воды "Е" под вытяжным колпаком. (См. рис. 2). Если он включён ("ON"), заполните бак водой. Убедитесь, что разъём правильно подсоединён. (См. рис. 8)
Эффект пламени слишком слабый.	Регулятором выбран слишком слабый эффект пламени. (См. рис. 2) Уровень воды в поддоне может быть слишком высоким из-за того, что ящик открывался и закрывался слишком часто, бак для воды снимался слишком часто или камин передвигался. Может быть загрязнён металлический диск на основании поддона (см. рис. 13)	Увеличьте уровень пламени, медленно вращая регулятора С по часовой стрелке. (См. рис. 2) Если уровень воды в поддоне выше 40 мм, следует вынуть и слить воду из поддона. Очистить металлический диск прилагаемой мягкой щёткой. (См. рис. 13) Пошаговую инструкцию см. в разделе "Техобслуживание".
Неприятный запах при использовании прибора.	Грязная или старая вода. Использование нефilterованной воды.	Очистите прибор, как о писано в разделе "Техобслуживание". Используйте только фильтрованную водопроводную воду.
Эффект пламени даёт слишком много дыма.	Установлен слишком сильный эффект пламени.	Поверните регулятор пламени С против часовой стрелки до минимума и затем медленно вращайте по часовой стрелке, примерно на ¼ за оборот. Перед увеличением следует выждать некоторое время, чтобы генератор пламени адаптировался. (См. рис. 2)
Основные лампы не горят, нет пламени или дыма.	Горит индикатор "Е", рис. 2. Индикатор "Е", рис. 2, не горит.	Следуйте указаниям, приведённым в разделе " Техобслуживание ", "Заполнение бака для воды". Убедитесь, что вилка правильно подсоединена к розетке. Выключатель "А" рис. 2 находится в положении "ON" (I). Нажмите выключатель "В" рис. 2 только один раз (чтобы прозвучал один звуковой сигнал) для включения эффекта пламени.





Opti-myst is a trade mark of GDC Group Ltd.

This product is protected by one or more of the following patents: PCT/ EP2005/009774, PCT/ EP2007/002207, GB0717773.6, GB0717772.8, GB0717770.2, GB0809322.1The design of this product is protected by EU Design Rights

[c] GDC Group Ltd,

All rights reserved. Material contained in this publication may not be reproduced in whole or in part, without prior permission in writing of Dimplex.

A division of GDC Group Ltd,

1. Warranty Card 	2. Guarantee Period (in Years) 1	3. Model(s)	4. Date of Purchase
5. Stamp & Signature of retailer	6. Fault/Defect		
7. Contact Number & Address			
DE Glen Dimplex Deutschland GmbH ewt-Kundendienst  +49 (911) 1805 / 398 346 Fax. +49 (911) 1805 / 355 467 (14Ct./Min aus dem dt. Festnetz) Mobilfunkpreise koennen abweichen service@glendimplex.de	UK www.dimplex.co.uk  0845 600 5111 Fax. 01489 773053 technical.services@dimplex.com	NL Glen Dimplex Benelux B.V. – Netherlands Antennestraat 84 1322 AS Almere, Nederland E-mail: info@glendimplex.nl www.glendimplex.nl	IT Glen-Dimplex Italia S.r.l. via delle Rose 7, 24040 lallio (BG)  035-201042 Fax. 035-200492 info@glendimplex.it
FR Glen Dimplex France ZI Petite Montagne Sud 12 rue des Cévennes 91017 EVRY - LISSES www.glendimplex-france.fr			

UK

1. Warranty Card
2. Guarantee Period (in Years)
3. Model(s)
4. Date of Purchase
5. Stamp & Signature of retailer
6. Fault/Defect
7. Contact Number & Address

DE

1. Garantiekarte
2. Garantiezeitraum (in Jahre)
3. Modell(e)
4. Kaufdatum
5. Stempel & Unterschrift des Einzelhändlers
6. Fehler/Defekt
7. Kontakt-Tel.-Nr. & - Anschrift

FR

1. Bon de garantie
2. Période de garantie (en années)
3. Modèle(s)
4. Date d'achat
5. Cachet et signature du vendeur
6. Anomalie/Défaut
7. Nom et adresse du contact

IT

1. Scheda di garanzia
2. Periodo di garanzia (in anni)
3. Modello(i)
4. Data di acquisto
5. Timbro e firma del rivenditore
6. Guasto/difetto
7. Indirizzo e numero di contatto

ES

1. Tarjeta de garantía
2. Período de garantía (en años)
3. Modelo(s)
4. Fecha de adquisición
5. Sello y firma del distribuidor
6. Avería/Defecto
7. Número y dirección de contacto

PT

1. Cartão de Garantia
2. Período de Garantia (em anos)
3. Modelo(s)
4. Data de Compra
5. Carimbo e Assinatura do retalhista
6. Falha/Defeito
7. Número de Contacto e Morada

NL

1. Garantiebewijs
2. Garantieperiode (in jaren)
3. Model(len)
4. Aankoopdatum
5. Stempel & Ondertekening detaillist
6. Fout/Defect
7. Telefoonnummer & Adres

DK

1. Garantikort
2. Garantiperiode (i år)
3. Model(ler)
4. Købsdato
5. Detailhandlers stempel & underskrift
6. Fejl/defekt
7. Kontaktnummer & -adresse

SE

1. Garantikort
2. Garantitid (i år)
3. Modell(er)
4. Inköpsdag
5. Återförsäljarens stämpel och underskrift
6. Fel
7. Telefonnummer och adress för kontakt

NO

1. Garantikort
2. Garantiperiode (i år)
3. Modell(er)
4. Kjøpsdato
5. Selgers stempel og signatur
6. Feil/defekt
7. Kontaktnummer og adresse

FI

1. Takuukortti
2. Takuu aika (vuosina)
3. Malli(t)
4. Ostopäivämäärä
5. Myyntiliikkeen leima ja allekirjoitus
6. Vika/vaurio
7. Yhteysnumero ja osoite

PL

1. Karta gwarancyjna
2. Okres gwarancji (w latach)
3. Model(e)
4. Data zakupu
5. Pieczęć i podpis sprzedawcy
6. Usterka
7. Telefon i adres kontaktowy

CZ

1. Záruční list
2. Záruční doba (roky)
3. Model(y)
4. Datum zakoupení
5. Razítko a podpis prodejce
6. Porucha/chyba
7. Kontaktní číslo a adresa

LV

1. Garantijas talons
2. Garantijas periods (gadi)
3. Modelis(li)
4. Legades datums
5. Mazumtirgotāja zimogs un paraksts
6. Bojājums/defekts
7. Kontakttālrunis un adrese

SI

1. Garancijski list
2. Obdobje veljavnosti garancije (v letih)
3. Model(i)
4. Datum nakupa
5. Žig in podpis prodajalca
6. Pomanjkljivost/okvara
7. Kontaktna številka in naslov

SK

1. Záručný list
2. Záručné obdobie (v rokoch)
3. Model(y)
4. Dátum kúpy
5. Pечат & Podpis obchodníka
6. Porucha/závada
7. Kontaktné číslo & adresu

LT

1. Garantijos kortele
2. Garantijos laikotarpis (metais)
3. Modelis (modeliai)
4. Pirkimo data
5. Prekybininko antspaudas ir parašas
6. Gedimas / defektas
7. Numeris ir adresas kontaktams

EE

1. Garantikaart
2. Garantiaeg (aastates)
3. Mudel(id)
4. Ostukuupäev
5. Kaupluse tempel & allkirri
6. Viga/defekt
7. Kontaktnumber & aadress

HU

1. Garancialevél
2. Garancia időtartama (években)
3. Modell(ek)
4. Vásárlás időpontja
5. Eladó bélyegzője és aláírása
6. Hiba/Hiány megnevezése
7. Értéktési telefonszám és cím

HR

1. Jamstvena kartica
2. Jamstveni period (u godinama)
3. Model(i)
4. Datum kupnje
5. Pечат i potpis dobavljača
6. Kvar/defekt
7. Broj i adresa za kontakt

GR

1. Κάρτα εγγύησης
2. Περίοδος ισχύος της εγγύησης (έτη)
3. Μοντέλο(α)
4. Ημερομηνία αγοράς
5. Σφραγίδα και υπογραφή εμπόρου
6. Σφάλμα/Ελάττωμα
7. Αριθμός τηλεφώνου και διεύθυνση επικοινωνίας

BG

1. Гаранционна карта
2. Гаранционен период (в години)
3. Модел(и)
4. Дата на покупка
5. Печат и подпис на търговеца
6. Неизправност/Дефект
7. Адрес и телефон за контакт

RU

1. Гарантийная карта
2. Срок действия гарантии(в годах)
3. Модель (модели)
4. Дата покупки
5. Штамп и подпись озничного продавца
6. Неисправность/дефект
7. Номер контактного телефона и адрес

KZ

1. Кепілдік картасы
2. Кепілдік мерзімі
3. Үлгі(лер)
4. Сатылған күні
5. Сатушының мөрі мен қолтаңбасы
6. Кемістік/Ақаулық
7. Байланыс телефоны және мекен-жайы